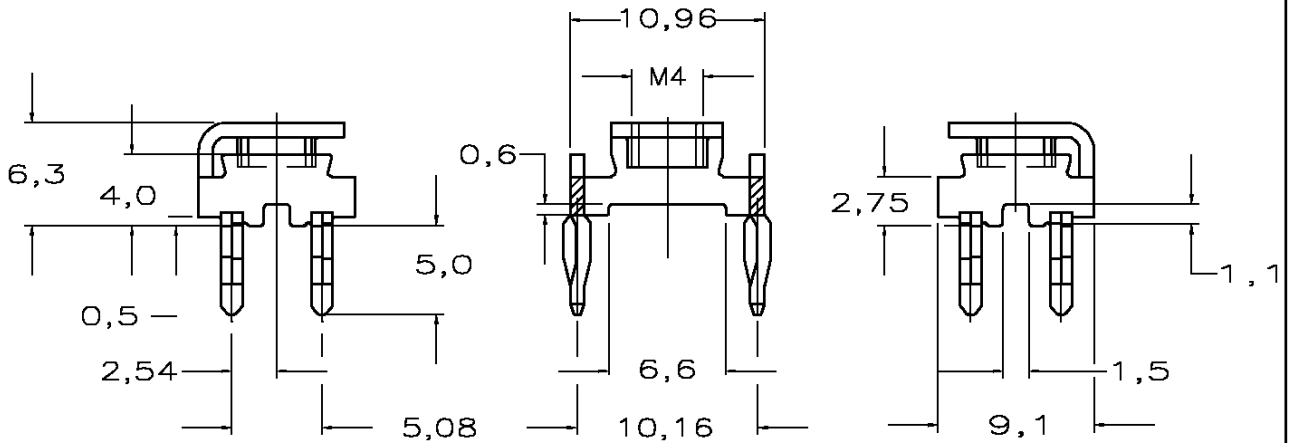
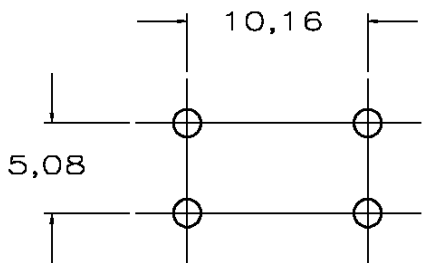


LOC	DIST	REVISIONS					
H	—	P	LTR	DESCRIPTION	DATE	DWN	APVD
		C		ECR-05-006211	13JUL05	CJF	JB



NOTES :

- 1 PLATING: Sn PLATE TO ASTM B 545 AND NI UNDERCOAT TO ASTM B 571 ALL OVER
- 2 MATERIAL THICKNESS 0,8 mm .



RECOMMENDED BOARD LAYOUT

THIS DRAWING IS UNPUBLISHED. ALL RIGHTS RESERVED. BY TYCO ELECTRONICS CORPORATION.

		PHOSPHORBRONZE	216906-1
	FINISH	MATERIAL	PART NUMBER

DIMENSIONS: MM TOLERANCES UNLESS OTHERWISE SPECIFIED: 0 PLC ± - 1 PLC ± - 2 PLC ± - 3 PLC ± - 4 PLC ± - ANGLES ± -	DWN	13FEB90	MATERIAL	FINISH
	CHK	03APR90		
	S.MEEUWSEN			
	R.V.LOKVEN			
	APVD	03APR90		
	L.V. SOEST			
	PRODUCT SPEC	108-19059	Tyco Electronics Corporation s-HertogenBosch, Nederland,	
	APPLICATION SPEC		NAME POWER TERMINAL WITH ACTION PIN (1,6-3,2 P.C.BOARD THK'S.)	
	WEIGHT		SIZE	CAGE CODE
			A4	00779
			DRAWING NO	
			C=216906	
			RESTRICTED TO	
	CUSTOMER DRAWING		SCALE	SHEET
			1:1	1 OF 1
				REV
				C