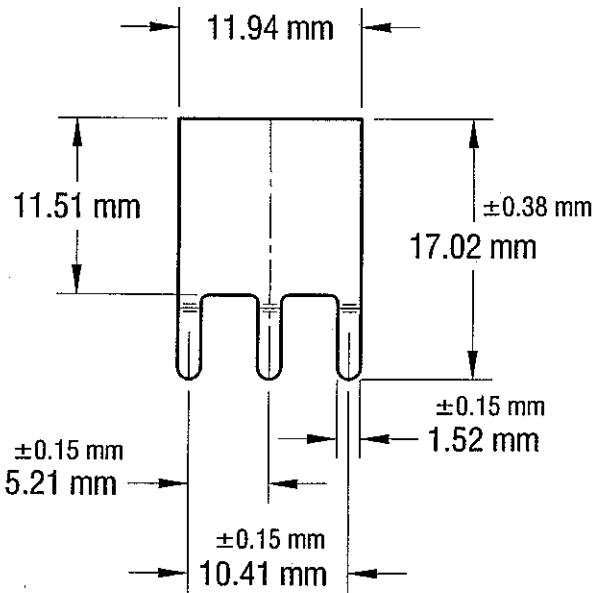
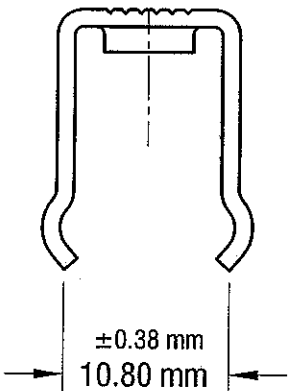
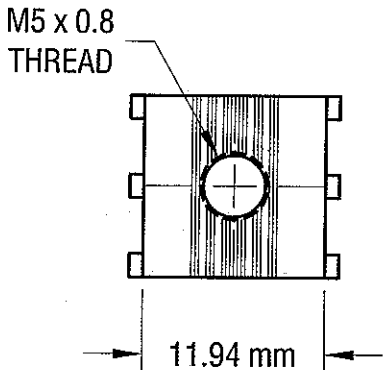
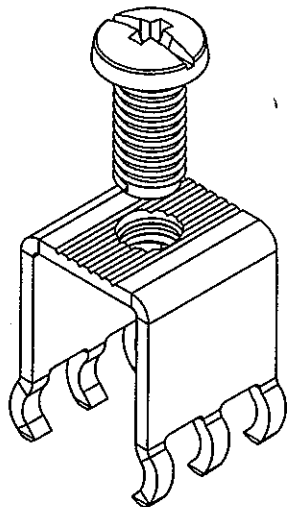
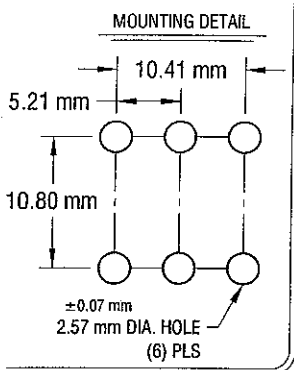


THIS DOCUMENT IS THE PROPERTY OF KEYSTONE ELECTRONICS CORP. AND SHALL NOT BE REPRODUCED, DISTRIBUTED OR USED AS A BASIS FOR MANUFACTURE WITHOUT PRIOR WRITTEN PERMISSION FROM KEYSTONE ELECTRONICS CORP.



NOTE:

- 1. TERMINAL:
 - MAT'L - 1.14 mm TH'K BRASS, TIN PLATE
 - SCREW : ONE (1) M5 x 0.8 x 10.0mm L. (SUPPLIED LOOSE)
 - MAT'L - BRASS, NICKEL PLATE
- 2. ALL DIMENSIONS ARE IN MILLIMETERS.

KEYSTONE ELECTRONICS CORP.			
www.keyelco.com • ASTORIA, N.Y. 11105-2017 • Tel (718) 956-8900			
PART NAME			
PC METRIC SCREW TERMINAL			
MATERIAL			
AS NOTED			
FINISH		DRN BY	DATE
AS NOTED		NT	7.03.08
		APPD	SCALE
			2X
TOLERANCES	INCH	[MM]	CODE
DECIMAL	±	[±0.25]	C
ANGULAR	± 1°		
UNLESS OTHERWISE SPECIFIED			DWG NO.
			7808

DATE	DESCRIPTION	REV.