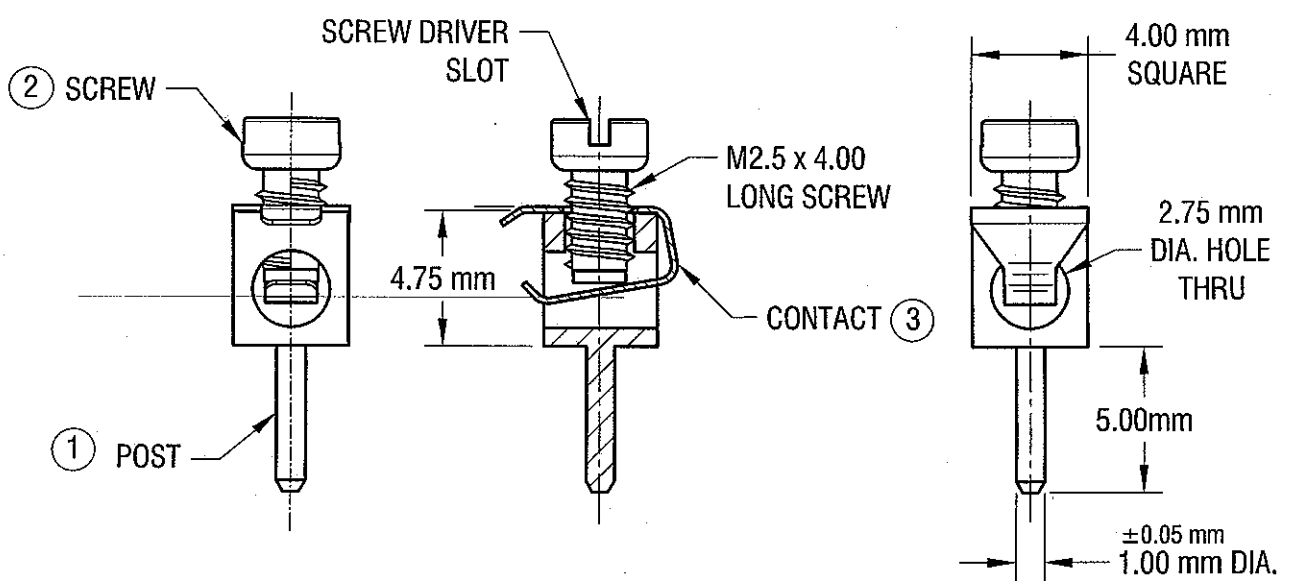
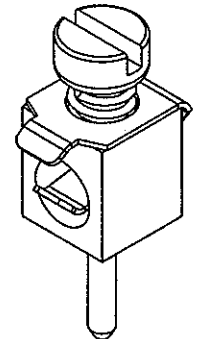


THIS DOCUMENT IS THE PROPERTY OF KEYSTONE ELECTRONICS CORP. AND SHALL NOT BE REPRODUCED, DISTRIBUTED OR USED AS A BASIS FOR MANUFACTURE WITHOUT PRIOR WRITTEN PERMISSION FROM KEYSTONE ELECTRONICS CORP.



NOTE:
 1. ALL DIMENSIONS ARE IN MILLIMETERS.
 2. SUGGESTED MOUNTING HOLE: 1.17mm DIA.
 3. SUPPLIED ASSEMBLED

ITEM	DESCRIPTION	MATERIAL/FINISH
1	POST	BRASS, TIN PLATE
2	SCREW	STEEL, ZINC PLATE
3	CONTACT	.006 [0.15] THK PHOSPHOR BRONZE, TIN PLATE

KEYSTONE ELECTRONICS CORP.

www.keyelco.com • ASTORIA, N.Y. 11105-2017 • Tel (718) 956-8900

PART NAME
METRIC MINIATURE BINDING POST

MATERIAL
AS NOTED

FINISH AS NOTED	DRN BY NT	DATE 2.24.09
	APP'D LN	SCALE 4X

TOLERANCES	INCH	[MM]	CODE	DWG NO.
DECIMAL	±.005	[±0.15]	C/M	8737
ANGULAR ± 1°				
UNLESS OTHERWISE SPECIFIED				

DATE	DESCRIPTION	REV.
------	-------------	------