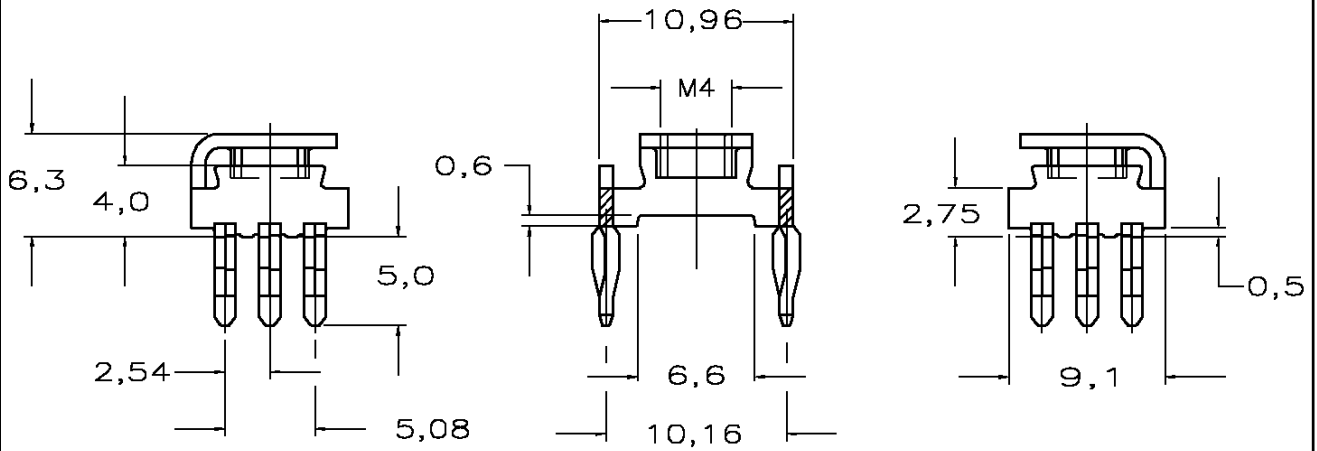
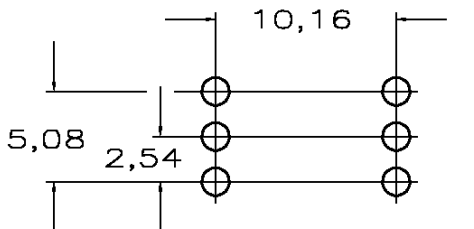


LOC	DIST	REVISIONS					
H	—	P	LTR	DESCRIPTION	DATE	DWN	APVD
		C		ECR-05-006211	13JUL05	CJF	JB



NOTES :

- 1 PLATING: Sn PLATE TO ASTM B 545 AND NI UNDERCOAT TO ASTM B 571 ALL OVER
- 2 MATERIAL THICKNESS 0,8 mm .



RECOMMENDED BOARD LAYOUT

THIS DRAWING IS UNPUBLISHED. ALL RIGHTS RESERVED. BY TYCO ELECTRONICS CORPORATION. © COPYRIGHT

		PHOSPHORBRONZE	216907-1
	FINISH	MATERIAL	PART NUMBER

DIMENSIONS: MM TOLERANCES UNLESS OTHERWISE SPECIFIED: 0 PLC ± - 1 PLC ± - 2 PLC ± - 3 PLC ± - 4 PLC ± - ANGLES ± -	DWN	S.MEEUWSEN	13FEB90	MATERIAL	—	FINISH	—
	CHK	R.V.LOKVEN	03APR90	Tyco Electronics Corporation s-HertogenBosch, Nederland,			
APVD	L.V. SOEST	03APR90					
	PRODUCT SPEC	108-19059		NAME			
	APPLICATION SPEC	—		POWER TERMINAL WITH ACTION PIN (1,6-3,2 P.C.BOARD THK'S.)			
	WEIGHT	—		SIZE	A4	CAGE CODE	00779
		CUSTOMER DRAWING		DRAWING NO	C=216907		RESTRICTED TO
				SCALE	1:1	SHEET	1 OF 1
						REV	C