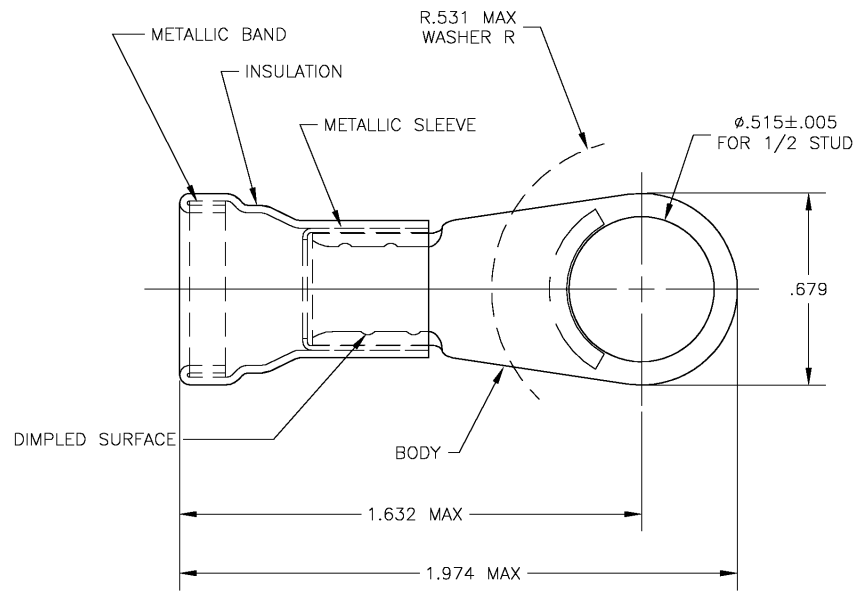


THIS DRAWING IS UNPUBLISHED. RELEASED FOR PUBLICATION  
 © COPYRIGHT BY TYCO ELECTRONICS CORPORATION. ALL RIGHTS RESERVED.

LOC	DIST	REVISIONS			
P	LTR	DESCRIPTION	DATE	DWN	APVD
G	14	C	REDRAWN PER 0G3A-0589-03	03OCT03	JR MS



- 1 TONGUE MATERIAL THK IS  $.048 \pm .003$
- 2 FOR  $.436$  MAX WIRE INSULATION DIA.
- 3 WIRE SIZE: 4

1	BODY: COPPER PER ASTM B152 TIN PLATE PER ASTM B545 INSULATION: PVC, COLOR YELLOW METALLIC SLEEVE: COPPER ASTM B152 METALLIC BAND: STEEL MIL-S-4174	328221-0
QTY	MATERIAL & FINISH	PART NO.

DIMENSIONS:		TOLERANCES UNLESS OTHERWISE SPECIFIED:		APVD		NAME		RESTRICTED TO	
INCHES				M.J. SPICER		M.J. SPICER			
0 PLC		± .005		PRODUCT SPEC		WIRE TERMINAL			
1 PLC		± .005		APPLICATION SPEC		AMPLI-BOND, RING TONGUE			
2 PLC		± .005		WEIGHT		WIRE SIZE: 4			
3 PLC		± .005		CUSTOMER DRAWING		SIZE CAGE CODE DRAWING NO			
4 PLC		± .005				A3 00779 C-328221			
ANGLES		± 5'				SCALE		SHEET 1 OF 1	
MATERIAL		FINISH				3:1		REV C	
SEE TABLE		SEE TABLE							

AMP 1470-19 REV 31MAR2000

C:\ENGapps\TECacad\4.0\bin\