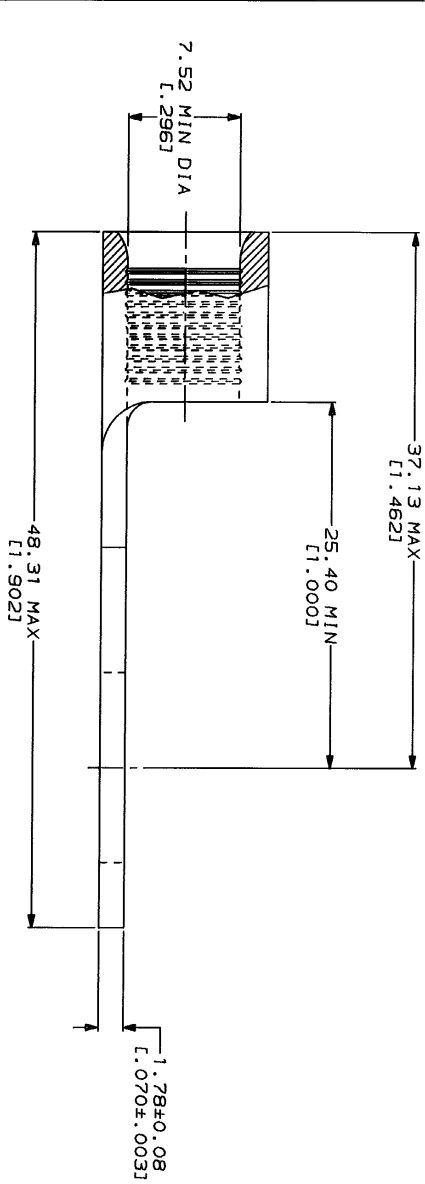


METRIC
DIMENSIONS LISTED IN MM [INCHES]

AMP WIRE RANGE	AMP E13288 Listed
4 AWG SOLID OR STRANDED	4 AWG STRANDED
LR7189 Certified	MILITARY P/N AND CLASS
4 AWG SOLID OR STRANDED	NOT APPLICABLE

△ STAMP AMP 4* APPROX AS SHOWN



AMP INCORPORATED
CUSTOMER SERVICE SYSTEMS

FOR ADDITIONAL
PRODUCT INFORMATION OR
COPIES OF DRAWINGS
AND TECHNICAL DOCUMENTS
1-800-522-6752

FOR APPLICATION
TOOLING INFORMATION
1-800-722-1111

FOR ORDER ENTRY
1-800-526-5142

MAX RECOMMENDED OPERATING
TEMPERATURE:
170°C MAX

VOLTAGE RATING:
NOT APPLICABLE

WIRE CROSS SECTIONAL AREA RANGE:
16.8-26.7mm² [33,100-52,600] CIR MILS

SOLID OR STRANDED

DO NOT SCALE PRINT.
DIMENSIONS LISTED IN INCHES—
TOLERANCES ON:
3 PLG DEC ± .001
3 PLG DEC ± .001
ANGLES
MATERIAL
COPPER PER
ASTM B-152
ANNEALED

DR 9/9/83
DK STRUM
DA PATTERSON

APPD 9/10/83
CH KILVNOCH

APPD 9/10/83
JL HECKLEY

APPLICATOR SPEC

FINISH TIN PLATE
0.00254 [L.000100] MIN
THK PER MIL—T-10727

DR 9/9/83
DK STRUM
DA PATTERSON

APPD 9/10/83
CH KILVNOCH

APPD 9/10/83
JL HECKLEY

APPLICATOR SPEC

QUANTITY 500

LOOSE PIECE, BOX

55951-1

PART NO

AMP
AMP Incorporated
Harrisburg, PA 17105-3608

NAME
TERMINAL, RING TONGUE,
SOLISTRAND™

SIZE CAGE CODE
00779

DRAWING NO
55951

SCALE 4:1

SHEET 1 OF 1