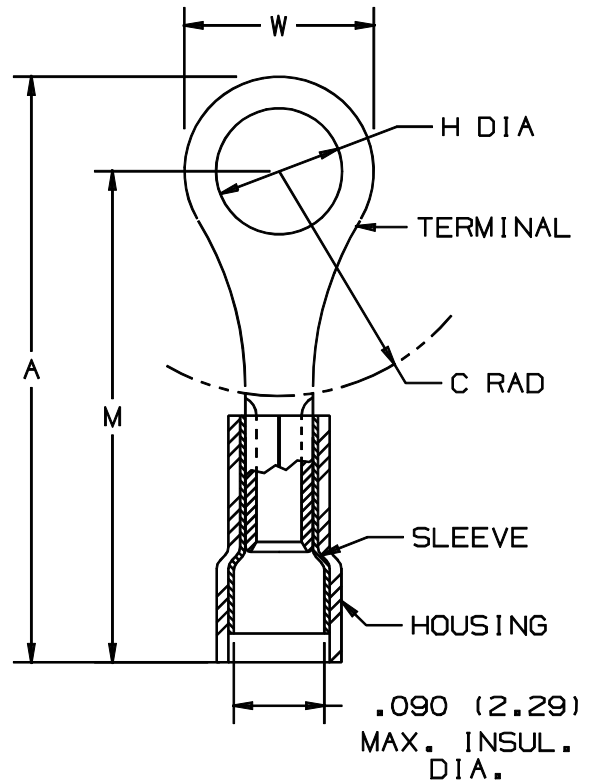


THIS COPY IS PROVIDED ON A RESTRICTED BASIS AND IS NOT TO BE USED IN ANY WAY DETRIMENTAL TO THE INTERESTS OF PANDUIT CORP.

PANDUIT PART NUMBER	STUD SIZE	DIMENSIONS in.				
		A $\pm .03$	W $\pm .01$	C $\pm .02$	M $\pm .03$	H $\pm .01$
PN22-2R	#2	.69 (17.53)	.20 (5.08)	.18 (4.57)	.59 (14.99)	.10 (2.54)
PN22-4R	#4	.69 (17.53)	.20 (5.08)	.18 (4.57)	.59 (14.99)	.13 (3.30)
PN22-6R	#6	.69 (17.53)	.20 (5.08)	.18 (4.57)	.59 (14.99)	.15 (3.81)
PN22-8R	#8	.78 (19.81)	.26 (6.60)	.26 (6.60)	.65 (16.51)	.17 (4.32)
PN22-10R	#10	.78 (19.81)	.31 (7.87)	.24 (6.10)	.62 (15.75)	.21 (5.33)

NOTES:

- RECOMMENDED FOR:
 - A. 300V. MAX. VOLTAGE RATING
 - B. #26-22 AWG SOLID OR STRANDED COPPER WIRE
 - C. 221° F (105° C) MAX. TEMP. RATING
- MATERIAL:
 - A. STAMPING - .020 (0.51) THK COPPER, TIN PLATED
 - B. HOUSING - NYLON, YELLOW
 - C. SLEEVE - BRASS, TIN PLATED
- PACKAGE QTY: STD. PKG. C= 100
BULK PKG. M= 1000
- DIMENSIONS IN BRACKETS ARE IN MILLIMETERS
- INSTALLATION TOOLS: CT-520, CT-1525
- WIRE STRIP LENGTH: 3/16 ^{1/32} (4.8 ^{1/8})



A41233_06

06	1/01	KMD		CAD FILE SPEC. WAS N41233AA_PCD_05							TINLEY PARK, ILLINOIS
05	5/99	JKD		ADDED CT-1525 TOOL	07632						
04	10/94	TH	RLS	UPDATED NOTES AND DIMENSIONS	02580	LCA	TFKE			#26-22 BARREL NYLON INSULATED RING .090 (2.29) MAX. WIRE INSUL. DIA.	
03	7-88	DW		REDRAWN WITH REVISIONS							
REV	DATE	BY	CHK	DESCRIPTION	ECN #	CUST	PM	DRAWN BY	CHK'D	SCALE	DRAWING NO.
								DAW	RLS		A41233