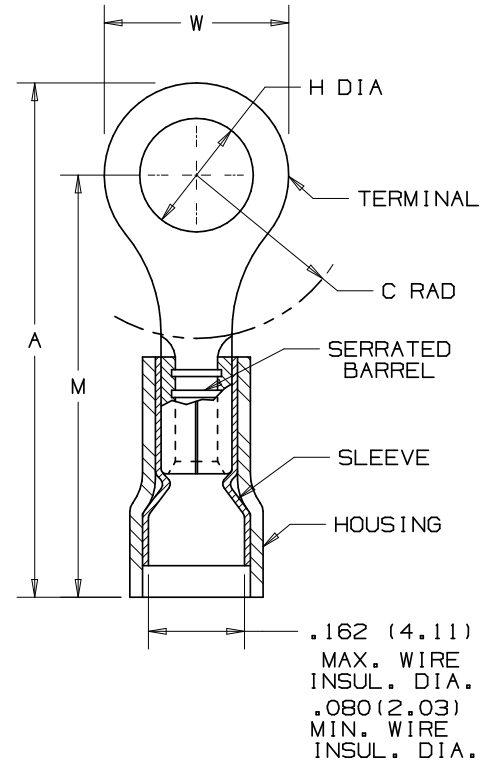


THIS COPY IS PROVIDED ON A RESTRICTED BASIS AND IS NOT TO BE USED IN ANY WAY DETRIMENTAL TO THE INTERESTS OF PANDUIT CORP.

PANDUIT PART NUMBER	PK	MILITARY PART NO. AND CLASS	STUD SIZE	DIMENSIONS in.				
				A $\pm .03$	W $\pm .01$	C $\pm .02$	M $\pm .03$	H $\pm .01$
PNF14-4R	-C -M	MS25036-152 CLASS 1 & 2	#4	.78 (19.81)	.25 (6.35)	.18 (4.57)	.66 (16.76)	.12 (3.05)
PNF14-6RN	-C -M	MS25036-106 CLASS 1 & 2	#6	.78 (19.81)	.25 (6.35)	.18 (4.57)	.63 (16.00)	.15 (3.81)
PNF14-6R	-C -M	MS25036-107 CLASS 1 & 2	#6	.87 (22.10)	.31 (7.87)	.24 (6.10)	.71 (18.03)	.15 (3.81)
PNF14-8R	-C -M	MS25036-153 CLASS 1 & 2	#8	.87 (22.10)	.31 (7.87)	.25 (6.35)	.71 (18.03)	.17 (4.32)
PNF14-10R	-C -M	MS25036-108 CLASS 1 & 2	#10	.85 (21.59)	.31 (7.87)	.29 (7.37)	.71 (18.03)	.20 (5.08)
PNF14-14R	-C -M	MS25036-154 CLASS 1 & 2	1/4"	1.06 (26.92)	.46 (11.68)	.40 (10.16)	.85 (21.59)	.27 (6.86)
PNF14-56R	-C -M	MS25036-109 CLASS 1 & 2	5/16"	1.06 (26.92)	.46 (11.68)	.40 (10.16)	.85 (21.59)	.34 (8.64)
PNF14-38R	-L -M	MS25036-110 CLASS 1 & 2	3/8"	1.14 (28.96)	.53 (13.46)	.45 (11.43)	.89 (22.61)	.40 (10.16)



NOTES:

- UL LISTED AND CSA CERTIFIED FOR:
 - 600V. MAX. BLDG. WIRE (1000V. MAX. IN SIGNS, FIXTURES & LUMINARIES)
 - 221°F. (105°C) MAX. TEMP. RATING
 - #18-14 AWG SOLID OR STRANDED COPPER WIRE WITH THE CT-550, CT-500, CT-1550, CT-1551, CT-460 (UL ONLY, AND MIL CLASS 2) INSTALLATION TOOLS
 - #18-14 AWG SOLID OR STRANDED COPPER WIRE WITH THE CT-100 AND CT-250 INSTALLATION TOOLS
- MATERIAL:
 - STAMPING- .032" (.81) THK. COPPER, TIN PLATED
 - HOUSING- NYLON, BLUE
 - SLEEVE- BRASS, TIN PLATED
- WIRE STRIP LENGTH- 7/32" +1/32, -0 (5.6, +.8, -0)
- PACKAGE QUANTITY: -L = 50, -D = 500, -M = 1000
- DIMENSIONS IN PARENTHESIS ARE IN MILLIMETERS

Panduit part numbers shown on this drawing meet the material requirements of RoHS (EUROPEAN DIRECTIVES 2002/95/EC) as proposed by the Technical Adaptation Committee.



LISTED
587H
E52164



CERTIFIED
LR31212

A41276_05

REV	DATE	BY	CHK	DESCRIPTION	ECN #	CUST	PM	DRAWN BY	CHK'D	SCALE	DRAWING NO.				
05	8/06	DAW	DAW	ADDED MILITARY PART NO. & CLASS	TRO0155	LCA	TRO	PANDUIT CORP. TINLEY PARK, ILLINOIS #16-14 BARREL NYLON INSULATED, FUNNELED WIRE ENTRY RING TONGUE, .162 (4.11) MAX. WIRE INSULATION DIAMETER							
04	1/01	RM	SKB	FILESPEC WAS N41276AA_PCD_03	08933	JAC	CCH								
03	12/96	JAMB		ADDED DIM., "MIN. WIRE INSUL. DIA." UPDATE NOTES	05384										
02	1/95	MS	RLS	UPDATED NOTES AND DIMENSIONS	02949	LA	TKLE								
									DRAWN BY	DAW	CHK'D	RLS	SCALE	NONE	DRAWING NO.