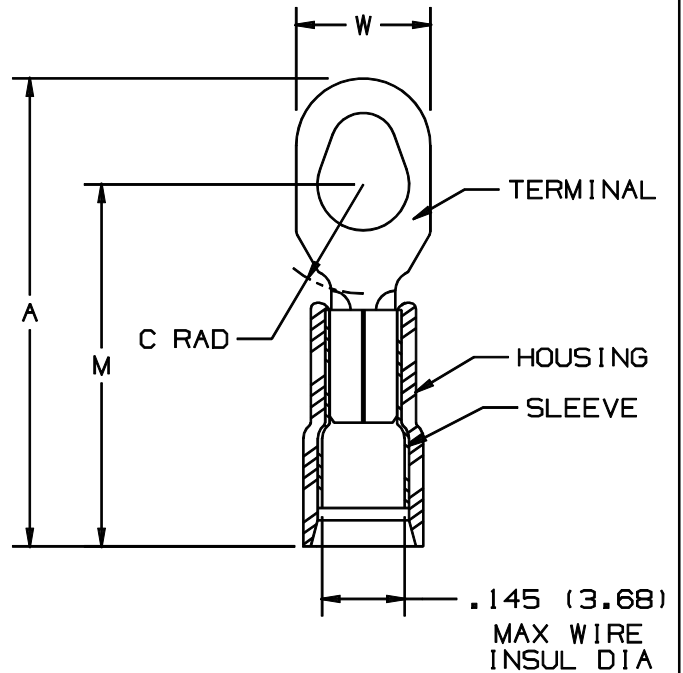


THIS COPY IS PROVIDED ON A RESTRICTED BASIS AND IS NOT TO BE USED IN ANY WAY DETRIMENTAL TO THE INTERESTS OF PANDUIT CORP.

PANDUIT PART NUMBER		STUD SIZE	DIMENSIONS in.			
PREFIX	PK		A $\pm .03$ (.76)	W $\pm .01$ (.25)	C $\pm .02$ (.51)	M $\pm .03$ (.76)
PN18-610R	-C -M	#6, #8, #10	.95 (24.1)	.31 (7.9)	.25 (6.3)	.70 (17.8)



NOTES:

- UL LISTED AND CSA CERTIFIED FOR:
 - A. 600 V MAX VOLTAGE RATING
 - B. 221°F (105°C) MAX TEMP RATING
 - C. #22-18 AWG SOLID OR STRANDED, COPPER WIRE
- PACKAGE QUANTITY:
 - A. STD: C=100
 - B. BULK: M=1000
- MATERIAL:
 - A. STAMPING: .032 (.81) THK COPPER, TIN PLATED
 - B. HOUSING: RED NYLON
 - C. SLEEVE: BRASS, TIN PLATED
- WIRE STRIP LENGTH: $7/32 \begin{smallmatrix} +1/32 \\ -0 \end{smallmatrix}$ (5.6 $\begin{smallmatrix} +.8 \\ -0 \end{smallmatrix}$)
- DIMENSIONS IN BRACKETS ARE IN MILLIMETERS
- INSTALLATION TOOLS:
 - A. UL LISTED AND CSA CERTIFIED WITH: CT-100, CT-400(U.L. ONLY)*, CT-500*, CT-550*, CT-1551*, CT-1550*
 - B. PANDUIT APPROVED: CT-160, CT-260
 - * APPROVED FOR EXPANDED WIRE RANGE #22-16 AWG



LISTED
587H



CERTIFIED

A41483_04

04	1/01	RM		FILESPEC WAS N41483AA_PCD_03					TINLEY PARK, ILLINOIS		
03		JKD		ADDED CT-1551 & CT-1550 TOOLS	07634						
02	3/95	MS	RS	UPDATED NOTES AND DIMENSIONS	03053	LA	KS	#22-18 BARREL, NYLON INSULATED MULTI-STUD TERMINAL			
01	2/92	BK	RS	UPDATED AGENCY APPROVAL STATUS	00846	LA	KS				
REV	DATE	BY	CHK	DESCRIPTION	ECN #	CUST	PM	DRAWN BY DRL	CHK'D FES	SCALE NONE	DRAWING NO. A41483