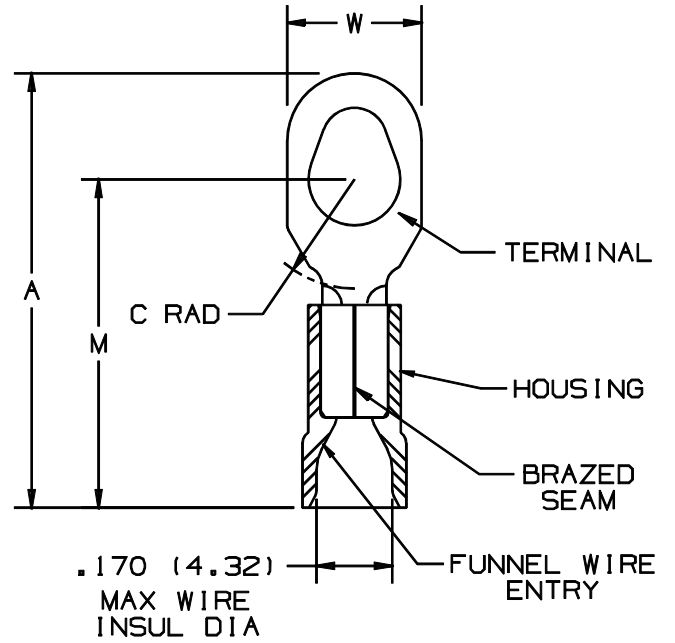


THIS COPY IS PROVIDED ON A RESTRICTED BASIS AND IS NOT TO BE USED IN ANY WAY DETRIMENTAL TO THE INTERESTS OF PANDUIT CORP.

PANDUIT PART NUMBER		STUD SIZE	DIMENSIONS in.			
PREFIX	PK		A $\pm .020$ (.51)	W $\pm .010$ (.25)	C $\pm .015$ (.38)	M $\pm .020$ (.51)
PV14-610R	-C -M	#6, #8, #10	1.00 (25.4)	.31 (7.9)	.25 (6.3)	.75 (19.0)



NOTES:

- UL LISTED AND CSA CERTIFIED FOR:
  - 600 V MAX VOLTAGE RATING
  - 221°F (105°C) MAX TEMP RATING
  - 167°F (75°C) MAX TEMP RATING WITH CT-100 TOOL
  - #16-14 AWG SOLID OR STRANDED, COPPER WIRE
- PACKAGE QUANTITY:
  - STD: C=100
  - BULK: M=1000
- MATERIAL:
  - STAMPING: .032 (.81) THK COPPER, TIN PLATED
  - HOUSING: BLUE VINYL
- WIRE STRIP LENGTH:  $5/16 \begin{matrix} +1/32 \\ -0 \end{matrix}$  ( $7.9 \begin{matrix} +.8 \\ -0 \end{matrix}$ )
- DIMENSIONS IN BRACKETS ARE IN MILLIMETERS
- INSTALLATION TOOLS:
  - UL LISTED AND CSA CERTIFIED WITH: CT-100, CT-500\*, CT-550\*, CT-1551\*, CT-1550\*
  - PANDUIT APPROVED: CT-260, CT-400, CT-460, CT-160

\* APPROVED FOR EXPANDED WIRE RANGE #18-14 AWG



LISTED  
587H



CERTIFIED

A41479\_03

03	1/01	RM		FILESPEC WAS N41479AA_PCD_02						<p>TINLEY PARK, ILLINOIS</p> <p>#16-14 BARREL, VINYL INSULATED MULTI-STUD TERMINAL</p>		
02		JKD		ADDED CT-1551, CT-1550 TOOLS	07634							
01	2/92	BK	RLS	UPDATED AGENCY APPROVAL STATUS	00846	LA	KS					
00	4/91	DL	DL	RELEASED ECN # 00460		LA	KS					
REV	DATE	BY	CHK	DESCRIPTION	ECN	CUST	PM	DRAWN BY	CHK'D	FES	SCALE	DRAWING NO.
								DRL		FES	NONE	A41479