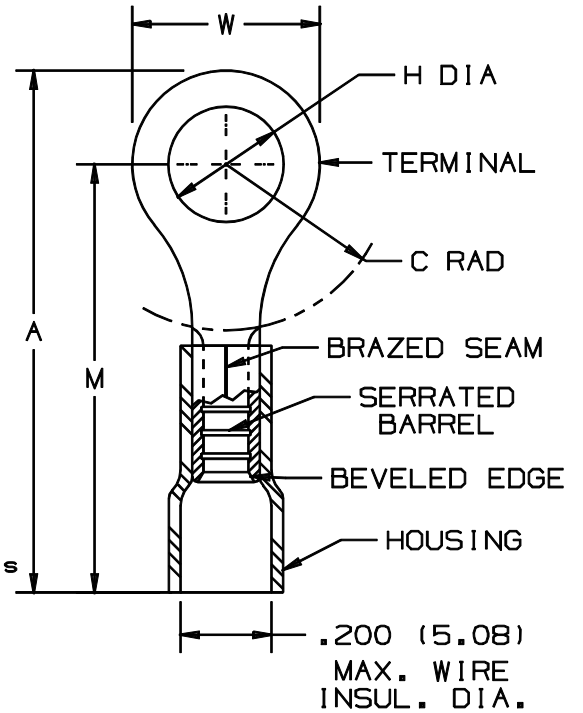


THIS COPY IS PROVIDED ON A RESTRICTED BASIS AND IS NOT TO BE USED IN ANY WAY DETRIMENTAL TO THE INTERESTS OF PANDUIT CORP.

| PANDUIT PART NUMBER | PK | STUD SIZE | DIMENSIONS in. | | | | |
|---------------------|----------|-----------|----------------|---------------|---------------|---------------|--------------|
| | | | A $\pm .03$ | W $\pm .01$ | C $\pm .02$ | M $\pm .03$ | H $\pm .01$ |
| PV14-4RX | -C -M | #4 | .87 (22.0) | .25 (6.4) | .19 (4.8) | .75 (19.1) | .12 (3.0) |
| PV14-6RX | -C -M | #6 | .96 (24.4) | .31 (7.9) | .25 (6.4) | .81 (20.1) | .15 (3.8) |
| PV14-8RX | -C -M | #8 | .96 (24.4) | .31 (7.9) | .25 (6.4) | .81 (20.1) | .17 (4.3) |
| PV14-10RX | -C -M | #10 | .96 (24.4) | .31 (7.9) | .25 (6.4) | .81 (20.1) | .20 (5.1) |
| PV14-14RX | -C -M | 1/4" | 1.16 (29.5) | .46 (11.7) | .37 (9.4) | .95 (24.1) | .27 (6.9) |
| PV14-56RX | -C -M | 5/16" | 1.16 (29.5) | .46 (11.7) | .37 (9.4) | .95 (24.1) | .33 (8.4) |
| PV14-38RX | -C -M | 3/8" | 1.25 (31.8) | .53 (13.5) | .42 (10.7) | .99 (25.1) | .39 (9.9) |



Notes:

- U.L. Listed and CSA Certified for
 - 600v max. voltage rating (1000v in signs, fixtures, and luminaires)
 - 18-14 AWG solid or stranded copper wire and 221°F (105°C) max. temp. rating with the CT-500, CT-550, CT-1551, CT-1550 installation tools
 - 16-14 AWG solid or stranded copper wire and 167°F (75°C) max. temp. rating with the CT-100 installation tools.
- Material:
 - Stamping: .032 (.81) thk copper, tin plated
 - Housing: Vinyl, blue
- Strip length: 5/16 +1/32 -0
- Package qty.: -C = 100 / -M = 1000
-L = 50 / -D = 500
- Dimensions in brackets are in millimeters or mm²



LISTED
587H
E52164



CERTIFIED
LR31212

A41270_04

| | | | | | | | | | | | |
|-----|------|-----|-----|-------------------------------|-------|------|----|--|-----------------------|---------------|-----------------------|
| 04 | 1/01 | RM | | FILESPEC WAS N41270AA_PCD_03 | | | | | TINLEY PARK, ILLINOIS | | |
| 03 | | JKD | | ADDED CT-1551 & CT-1550 TOOLS | 07634 | | | | | | |
| 02 | 9/95 | BK | RLS | UPDATED DRAWING | 03612 | LCA | JM | #16-14 BARREL VINYL INSULATED RING TONGUE, .200 (5.08) MAX. WIRE INSULATION DIAMETER | | | |
| 1 | 7-88 | DW | | REDRAWN WITH REVISIONS | | | JB | | | | |
| REV | DATE | BY | CHK | DESCRIPTION | ECN | CUST | PM | DRAWN BY DAW | CHK'D CJH | SCALE NONE | DRAWING NO. A41270 |