

THIS COPY IS PROVIDED ON A RESTRICTED BASIS AND IS NOT TO BE USED IN ANY WAY DETRIMENTAL TO THE INTERESTS OF PANDUIT CORP.

PANDUIT PART NUMBER	STUD SIZE	DIMENSIONS in.				
		A $\pm .03$	W $\pm .010$	C $\pm .02$	M $\pm .03$	H $\pm .010$
PV18-4R	#4	.84 (21.34)	.25 (6.35)	.22 (5.59)	.69 (17.53)	.12 (3.05)
PV18-6RN	#6	.80 (20.32)	.22 (5.59)	.22 (5.59)	.69 (17.53)	.15 (3.81)
PV18-6R	#6	.86 (21.84)	.25 (6.35)	.22 (5.59)	.70 (17.78)	.15 (3.81)
PV18-8R	#8	.91 (23.11)	.31 (7.87)	.26 (6.60)	.78 (19.81)	.17 (4.32)
PV18-10R	#10	.94 (23.88)	.31 (7.87)	.27 (6.86)	.78 (19.81)	.20 (5.08)
PV18-14R	1/4"	1.11 (28.19)	.46 (11.68)	.37 (9.40)	.88 (22.35)	.27 (6.86)
PV18-56R	5/16"	1.11 (28.19)	.46 (11.68)	.39 (9.91)	.88 (22.35)	.34 (8.64)
PV18-38R	3/8"	1.19 (30.23)	.53 (13.46)	.42 (10.67)	.96 (24.38)	.40 (10.16)

**Notes:**

**1. Used for:**

- A. 600 max voltage rating
- B. #22-16 AWG Solid or stranded copper wire range, 221°F (105°C) max temp rating with CT-500 and CT-550 installation tool
- C. #22-18 AWG Solid or stranded copper wire range, 167°F (75°C) max temp rating with CT-100 installation tool

2. Wire strip length: 5/16  $^{+1/32}$   $^{-0}$  (7.9  $^{+0.8}$   $^{-0}$ )

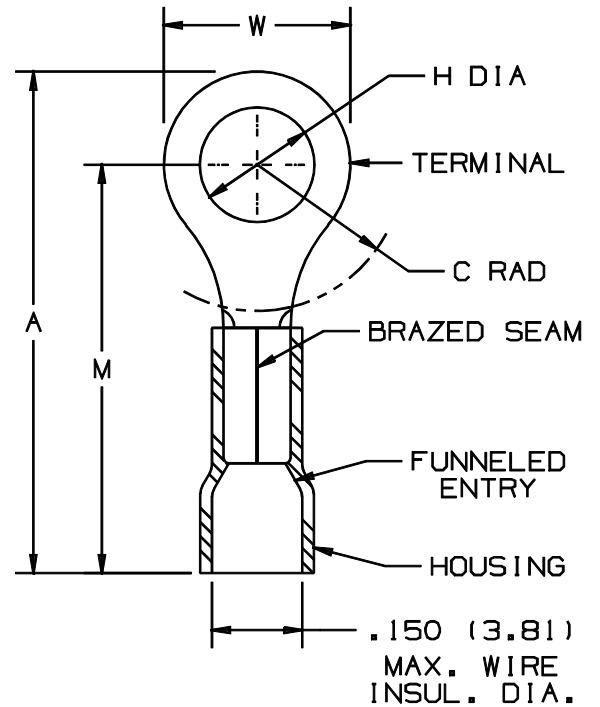
**3. Package Quantity (Suffix to basic part no.):**

- A. Standard -C=100
- B. Bulk -M=1000

**4. Material:**

- A. Stamping: .032 (.81) thick tin plated copper
- B. Housing: Red vinyl

**5. Dimensions in brackets are in millimeters**



LISTED  
587H  
E52164



CERTIFIED  
LR31212

A41268\_06

06	1/01	RM		FILESPEC WAS N41268AA_PCD_05					<p>TINLEY PARK, ILLINOIS</p> <p>#22-18 BARREL FUNNELED VINYL INSULATED RING TONGUE, .150 (3.81) MAX WIRE INSULATION DIAMETER</p>
5	1-95	MS		UPDATED NOTES AND DIMENSIONS	02870				
4	7-88	DW		REDRAWN WITH REVISIONS			JB		
REV	DATE	BY	CHK	DESCRIPTION	ECN #	CUST	PM	DRAWN BY: DAW DATE: SCALE: NONE DRAWING NO.: A41268	