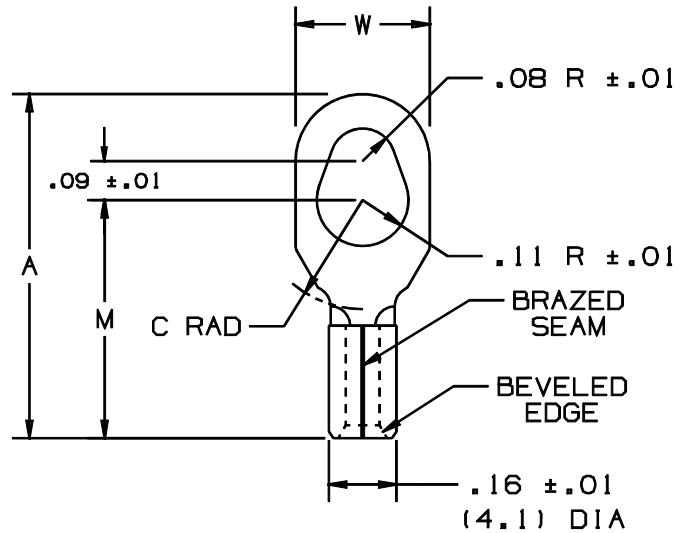


THIS COPY IS PROVIDED ON A RESTRICTED BASIS AND IS NOT TO BE USED IN ANY WAY DETRIMENTAL TO THE INTERESTS OF PANDUIT CORP.

PANDUIT PART NUMBER		STUD SIZE	DIMENSIONS in.			
PREFIX	PK		A $\pm .02$ (1.5)	W $\pm .01$ (1.3)	C $\pm .02$ (1.4)	M $\pm .02$ (1.5)
P14-610R	-C -M	#6, #8, #10	.80 (20.3)	.31 (7.9)	.25 (6.3)	.55 (14.0)



NOTES:

- UL LISTED AND CSA CERTIFIED FOR:
  - #18-14 AWG SOLID OR STRANDED, COPPER WIRE
  - 302°F (150°C) MAX TEMP RATING
- PACKAGE QUANTITY:
  - STD: C=100
  - BULK: M=1000
- MATERIAL:
  - STAMPING: .032 (.81) THK COPPER, TIN PLATED
- WIRE STRIP LENGTH:  $9/32 \begin{smallmatrix} +1/32 \\ -0 \end{smallmatrix}$  (7.1  $\begin{smallmatrix} +.8 \\ -0 \end{smallmatrix}$ )
- DIMENSIONS IN BRACKETS ARE IN MILLIMETERS
- INSTALLATION TOOLS:
  - UL LISTED AND CSA CERTIFIED WITH: CT-100, CT-200, CT-570, CT-1570
  - PANDUIT APPROVED: CT-160, CT-260



LISTED  
587H  
E52164



CERTIFIED  
LR31212

A41473\_04

04	1/01	KMD		CAD FILE SPEC. WAS N41473AA_PCD_03						PANDUIT CORP. TINLEY PARK, ILLINOIS #16-14 BARREL, NON-INSULATED MULTI-STUD TERMINAL					
03		JKD		ADDED CT-1570 TOOL	07632										
02	4/96	JKD	RS	ADDED DIMS, REVISED NOTES	04299	LA	DBH								
01	2/92	BK	RS	UPDATED AGENCY APPROVAL STATUS		LA	KS								
REV	DATE	BY	CHK	DESCRIPTION	ECN	CUST	PM	DRAWN BY	DRL	CHK'D	FES	SCALE	NONE	DRAWING NO.	A41473