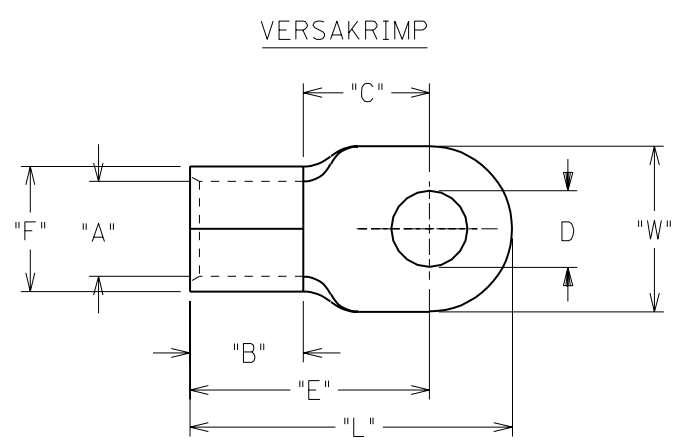


6	5	4	3	2	1					
PART NUMBER	WIRE SIZE	"W"	"C" MIN	"E" MAX	"B" MIN	"L" MAX	"A" MIN	STOCK THICKNESS	"F" MAX	AVAILABLE STUD SIZE
L-395-	4/0	1.102 1.128	.822	1.653	.734	2.242	.622	.099 .102	.865	14, 38, 76, 12, 58
L-398-	4/0	1.227 1.253	1.292	2.123	.734	2.765	.622	.099 .102	.865	58, 34, 78

DRWG. NO.	SD02051
-----------	---------



MATERIAL: COPPER
PLATING: ELECTRO-TIN

STUD SIZE	±.005 "D"
14	1/4" .265
56	5/16" .328
38	3/8" .390
76	7/16" .453
12	1/2" .515
58	5/8" .656
34	3/4" .781
78	7/8" .906

CUSTOMER DRAWING

A	ADD STUD SIZE & UPDATE TO CAD ET970953 08/20
LTR.	REVISIONS

DIMENSIONS SHOWN (METRIC) INCH	
UNLESS OTHERWISE SPECIFIED TOLERANCES: ANGULAR ± 1/2°	
	INCH METRIC
3 PLACE	± .005 ± 0.13
2 PLACE	± .01 ± 0.25
1 PLACE	± --- ± ---
DRAFT WHERE APPLICABLE MUST REMAIN WITHIN DIMENSIONS	
DRWG. BY LEM	CHK'D. BY
APP'D. BY	SCALE NO:NE

REVISE ONLY ON CAD SYSTEM	
TITLE "L" RING TONGUE TERMINAL	
ETC INC. PINELLAS PARK, FLA. 33781 U.S.A.	SHEET NO. DATE 70/03/02
PART NO. SEE CHART	DRWG. NO. SD02051
FILE NAME SDL395 DGN	THIS DRAWING CONTAINS INFORMATION THAT IS PROPRIETARY TO MOLEX-ETC INC. AND SHOULD NOT BE USED WITHOUT WRITTEN PERMISSION.
DIV. A	SIZE A