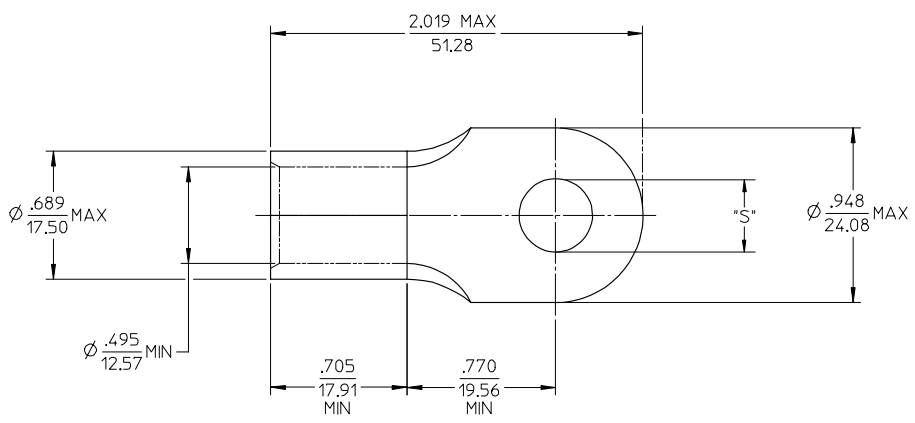


MATERIAL NO. LOOSE PIECE	ENG. NO.	STUD SIZE	±.003 *S*	STOCK THICKNESS
191930342	J-385-14	1/4	.265	.083 (2.11)
191930346	J-385-56	5/16	.328	
191930345	J-385-38	3/8	.390	
191930348	J-385-76	7/16	.453	
191930341	J-385-12	1/2	.515	



SALES DRAWING

- NOTE(S):  
 1. MATERIAL: COPPER  
 2. PLATING: ELECTROPLATE TIN  
 3. ALL DIMENSIONS IN INCHES/(MM).  
 4. WIRE SIZE: 2/0 AWG  
 70 MM<sup>2</sup>

REVISED/DATE TO MK STDS EC NO: ETC2003-0315 DRAWN/DATE CHKD/HEB 2003/08/21 APPR/DEROSS 2003/08/21	QUALITY SYMBOLS	GENERAL TOLERANCES (UNLESS SPECIFIED)	SCALE 2:1	DESIGN UNITS INCH	THIRD ANGLE PROJECTION	REVISE ON CAD ONLY																								
	▽ -0 ▽ -0	<table border="1"> <thead> <tr> <th></th> <th>mm</th> <th>INCH</th> </tr> </thead> <tbody> <tr> <td>4 PLACES</td> <td>± .---</td> <td>± .---</td> </tr> <tr> <td>3 PLACES</td> <td>± .---</td> <td>± .005</td> </tr> <tr> <td>2 PLACES</td> <td>± 0.13</td> <td>± .01</td> </tr> <tr> <td>1 PLACE</td> <td>± 0.25</td> <td>± .---</td> </tr> </tbody> </table>		mm	INCH	4 PLACES	± .---	± .---	3 PLACES	± .---	± .005	2 PLACES	± 0.13	± .01	1 PLACE	± 0.25	± .---	<table border="1"> <thead> <tr> <th colspan="2">DIMENSION STYLE</th> </tr> <tr> <th>IN/MM</th> <th>TITLE</th> </tr> </thead> <tbody> <tr> <td>DRAWN BY DLM</td> <td>DATE 03/06/13</td> </tr> <tr> <td>CHECKED BY HEB</td> <td>DATE 03/06/13</td> </tr> <tr> <td>APPROVED BY RWD</td> <td>DATE 03/06/13</td> </tr> </tbody> </table>	DIMENSION STYLE		IN/MM	TITLE	DRAWN BY DLM	DATE 03/06/13	CHECKED BY HEB	DATE 03/06/13	APPROVED BY RWD	DATE 03/06/13	RING TONGUE TERMINAL VERSAKRIMP 2/0 AWG	
			mm	INCH																										
		4 PLACES	± .---	± .---																										
3 PLACES	± .---	± .005																												
2 PLACES	± 0.13	± .01																												
1 PLACE	± 0.25	± .---																												
DIMENSION STYLE																														
IN/MM	TITLE																													
DRAWN BY DLM	DATE 03/06/13																													
CHECKED BY HEB	DATE 03/06/13																													
APPROVED BY RWD	DATE 03/06/13																													
	ANGULAR ±1/2°	DRAFT WHERE APPLICABLE MUST REMAIN WITHIN DIMENSIONS	MOLEX INCORPORATED MATERIAL NO. (SEE CHART)   DOCUMENT NO. SD-19193-009   SHEET NO. 1 OF 1																											
THIS DRAWING CONTAINS INFORMATION THAT IS PROPRIETARY TO MOLEX INCORPORATED AND SHOULD NOT BE USED WITHOUT WRITTEN PERMISSION																														