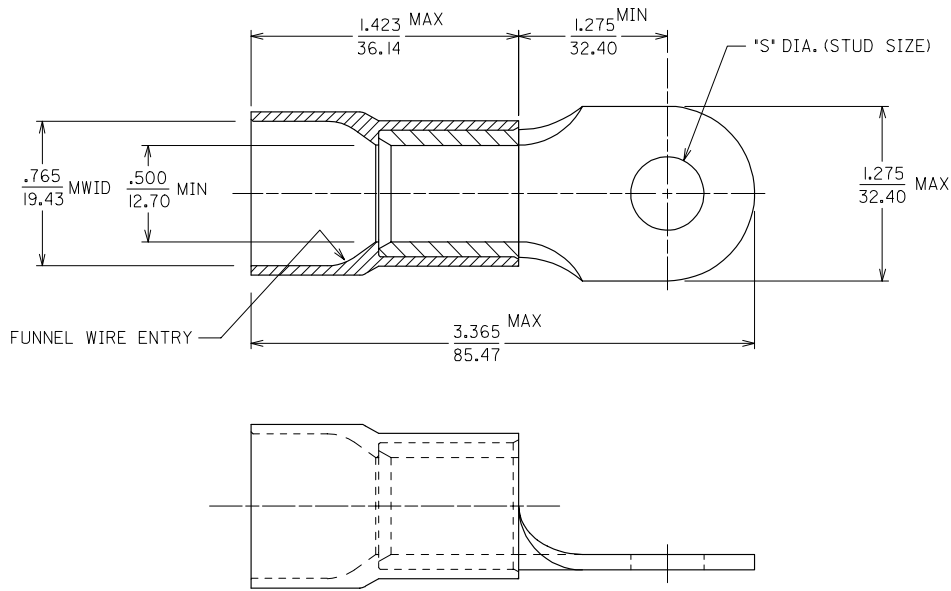


MATERIAL NUMBER	ALTERNATE NUMBER	STUD SIZES	"S"
190670114	J-987-12	1/2	.515
190670115	J-987-34	3/4	.781
190670116	J-987-58	5/8	.656



NOTES:

1. MATERIAL: COPPER .083 THICK PLATING: ELECTROPLATE TIN
2. INSULATION: YELLOW NYLON 6/6
3. MWID=MAXIMUM WIRE INSULATION DIA.
4. ALL DIMENSIONS IN INCHES/(MM).
5. ASSEMBLY IS ROHS COMPLIANT.

CHG TITLE - ADDED ROHS EC NO: ETC2007-0336 D: DRUMHEILE 2007/03/14 CHKD: MACNEIL 2007/03/14 APPR: MACNEIL 2007/03/15	QUALITY SYMBOLS ▽=0 ▽=0	GENERAL TOLERANCES (UNLESS SPECIFIED)		DIMENSION STYLE IN/MM	SCALE ---	DESIGN UNITS INCH	THIRD ANGLE PROJECTION	
		4 PLACES ± --- ± ---	DRAWN BY EDB	DATE 2001/02/02	TITLE NYLAKRIMP FUNNEL ENTRY RING TONGUE TERMINAL, 2/0 AWG			
		3 PLACES ± --- ± .005	CHECKED BY HEB	DATE 2001/02/02	MOLEX INCORPORATED			
		2 PLACES ± 0.13 ± .01	APPROVED BY RWD	DATE 2001/02/02	MATERIAL NO. SEE CHART	DOCUMENT NO. SD-19067-010	SHEET NO. 1 OF 1	
		1 PLACE ± 0.25 ± ---	ANGULAR ±1/2°		DRAFT WHERE APPLICABLE MUST REMAIN WITHIN DIMENSIONS			THIS DRAWING CONTAINS INFORMATION THAT IS PROPRIETARY TO MOLEX INCORPORATED AND SHOULD NOT BE USED WITHOUT WRITTEN PERMISSION