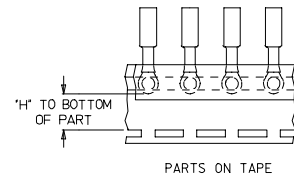
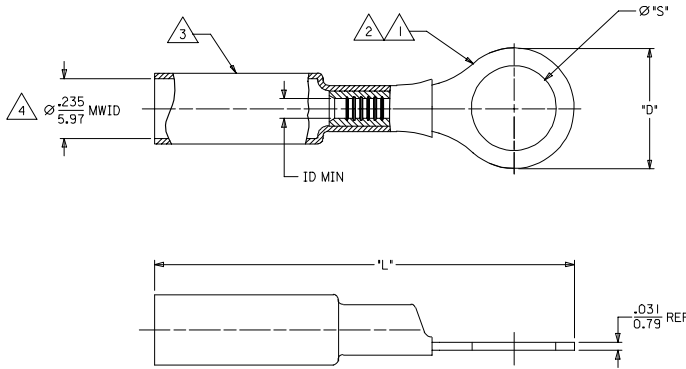


MATERIAL NUMBER	ENGINEERING NUMBER	MATERIAL NUMBER ON TAPE	ENGINEERING NUMBER ON TAPE	STUD SIZE	"S" ±.005/0.03	"D" MAX	"H" ±.010/0.25	"L" MAX	ID MIN
I91640031	SB-237-04	I91640941	SB-237-04T	#4	.119/3.02	.320/8.17	.527/13.39	1.45/36.8	.082/2.08
I91640032	SB-237-06	I91640310	SB-237-06T	#6	.146/3.71	.320/8.17	.527/13.39	1.45/36.8	.082/2.08
I91640033	SB-237-08	I91640311	SB-237-08T	#8	.173/4.39	.320/8.17	.527/13.39	1.45/36.8	.082/2.08
I91640034	SB-237-10	I91640312	SB-237-10T	#10	.198/5.03	.320/8.17	.527/13.39	1.45/36.8	.082/2.08
I91640025	SB-225-10	I91640940	SB-225-10T	#10	.198/5.03	.475/12.07	.338/8.59	1.63/41.4	.153/3.89
I91640026	SB-225-14	I91640308	SB-225-14T	1/4	.265/6.73	.475/12.07	.338/8.59	1.63/41.4	.153/3.89
I91640027	SB-225-56	I91640309	SB-225-56T	5/16	.328/8.33	.475/12.07	.338/8.59	1.63/41.4	.153/3.89
I91640020	SB-218-38	I91640307	SB-218-38T	3/8	.390/9.91	.475/12.07	.340/8.64	1.63/41.4	.153/3.89



NOTE:

- 1. TERMINAL MATERIAL: COPPER ALLOY
- 2. FINISH: ELECTRO TIN PLATE.
- 3. INSULATION MATERIAL: HEAT SHRINKABLE TUBING WITH HOTMELT ADHESIVE INNER LINER. COLOR: BLUE
- 4. MWD = MAXIMUM WIRE INSULATION DIAMETER.

SALES DRAWING

REVISED TITLE BLOCK EC NO: ETC2006-0017 DRAWN: SHARCK 2005/07/25 CHKD: ROSS 2005/07/26 APPR: ROSS 2005/07/27	QUALITY SYMBOLS ▽=0 ▽=0	GENERAL TOLERANCES (UNLESS SPECIFIED)	DIMENSION STYLE IN/MM	SCALE ---	DESIGN UNITS INCH	THIRD ANGLE PROJECTION
	4 PLACES ±--- ±---	mm	INCH	DRAWN BY BENDERLE	DATE 2002/08/26	TITLE RING TONGUE TERMINAL PERMA-SEAL NIAC 16-14 AWG
	3 PLACES ±--- ±---	2 PLACES ±--- ±---	1 PLACE ±--- ±---	CHECKED BY HBEITZEL	DATE 2002/08/26	MATERIAL NO. SD-19164-026
	ANGULAR ±---°	DRAFT WHERE APPLICABLE MUST REMAIN WITHIN DIMENSIONS		APPROVED BY ROEROSS	DATE 2002/08/26	DOCUMENT NO. SD-19164-026
<p>THIS DRAWING CONTAINS INFORMATION THAT IS PROPRIETARY TO MOLEX INCORPORATED AND SHOULD NOT BE USED WITHOUT WRITTEN PERMISSION</p>						