

4

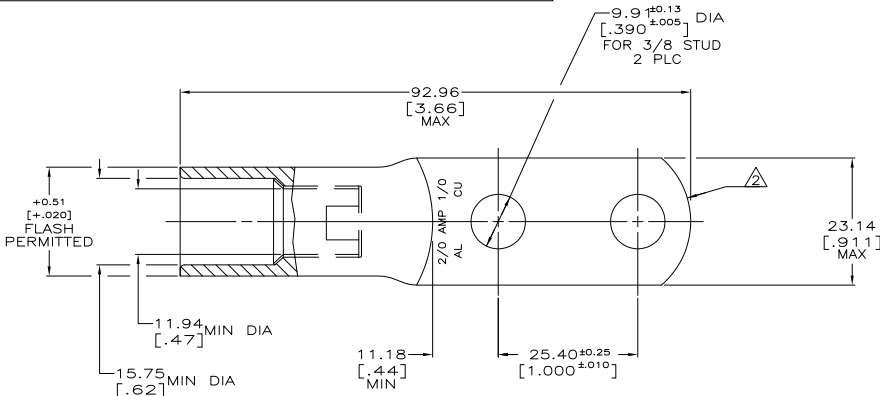
3

2

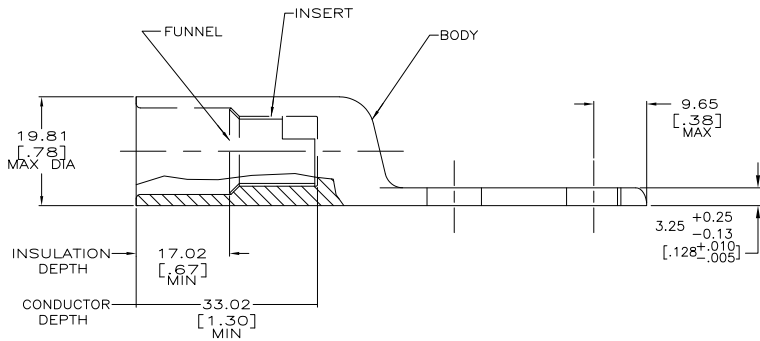
1

THIS DRAWING IS UNPUBLISHED. RELEASED FOR PUBLICATION  
 BY TYCO ELECTRONICS CORPORATION. ALL RIGHTS RESERVED.

LOC		DIBT		REVISIONS			
P	LTR	DESCRIPTION	DATE	MIN	APD		
F		REV PER EDD 09-028159	12-30-09	CT	JW		



1 WIRE INSULATION: 12.70[.500] - 13.97[.550] DIA  
 THE TONGUE RADIUS FEATURE IS NOT A TOOLING CONTROLLED DIMENSION AND MAY NOT BE A TRUE RADIUS.



BODY: COPPER ASTM-B187 ANNEALED TIN PL MIL-T-10727 0.00457[.000150] MIN THK INSERT & FUNNEL: BRASS PER ASTM B36 NICKEL PLATE SAE AMS QQ-N-290A, DATED JULY 2000, 0.00254 [0.00100] MIN THK	55839-1
MATERIAL AND FINISH	PART NO.

THIS DRAWING IS A CONTROLLED DOCUMENT.		DRK SCHURM 6/15/92 DWL VOCKROTH 6/16/92 AL KAUFMAN 6/16/92	Tyco Electronics Corporation Harrisburg, PA 17105-3608
DIMENSIONS: MM (INCHES)	DIMENSIONS UNLESS OTHERWISE SPECIFIED: 0 PLC ± .010 1 PLC ± .015 2 PLC ± .020 3 PLC ± .030 4 PLC ± .050 ANGLES ± .5°	NAME: AL KAUFMAN PRODUCT SPEC: 108-11011 APPLICATION SPEC: 114-2134 WEIGHT: 91 GRAMS	WIRE TERMINAL, COPALUM SEALED, RING TONGUE, WIRE SIZE 2/0 AL, 1/0 COPPER SIZE CASE CODE (DRAWING NO): A200779C-55839 RESTRICTED TO: -
MATERIAL: SEE TABLE	FINISH: SEE TABLE	CUSTOMER DRAWING	SCALE: 2:1 SHEET: 1 of 1 REV: F

AMP 1471-9 REV 31MM0200

29DEC2009 us016412 H:\docmod\55839\_1-c.dwg