

4

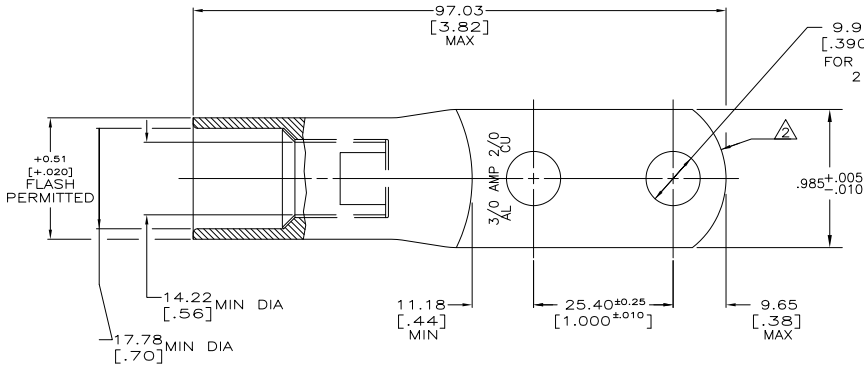
3

2

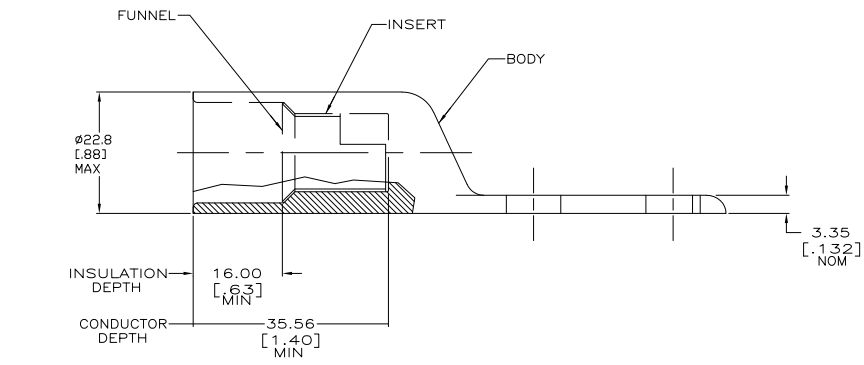
1

THIS DRAWING IS UNPUBLISHED. RELEASED FOR PUBLICATION  
 © COPYRIGHT BY TYCO ELECTRONICS CORPORATION. ALL RIGHTS RESERVED.

LOC	DIST	REVISIONS		MS	DATE	MIN	APD
		P	LTR	DESCRIPTION			
		F		REV PER EDD 09-011639	5-15-09	CT	JW



1 WIRE INSULATION: 13.21[.520] - 16.38[.645] DIA  
 △ THE TONGUE RADIUS FEATURE IS NOT A TOOLING CONTROLLED DIMENSION AND MAY NOT BE A TRUE RADIUS.



BODY: COPPER ASTM-B187 ANNEALED TIN PL MIL-T-10727 0.00457[.000150] MIN THK	55840-1
INSERT & FUNNEL: BRASS PER ASTM B36 NICKEL PLATE SAE AMS QQ-N-290A, DATED JULY 2000, 0.00254 [.000100] MIN THK	
MATERIAL AND FINISH	PART NO.

THIS DRAWING IS A CONTROLLED DOCUMENT.		DR: D.K. SCHRUM 6/15/92	Tyco Electronics Corporation Harrisburg, PA 17105-3608	
DIMENSIONS: INCHES		CHK: W.J. VOCKROTH 6/16/92	NAME: AL. KAUFMAN	
OTHER DIMENSIONS: MILLIMETERS		PRODUCT SPEC: 108-11011	WIRE TERMINAL, COPALUM SEALED, RING TONGUE, WIRE SIZE 3/0 AL, 2/0 COPPER	
MATERIAL: SEE TABLE		APPLICATION SPEC: 114-2134	SIZE: A2	ONE CODE (DRAWING NO): 00779
FINISH: SEE TABLE		WEIGHT: 113 GRAMS	C: 55840	RESTRICTED TO: -
		CUSTOMER DRAWING	SCALE: 2:1	SHEET: 1 of 1