

4

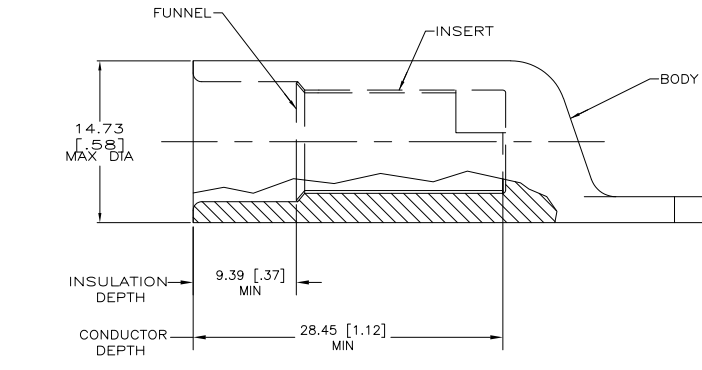
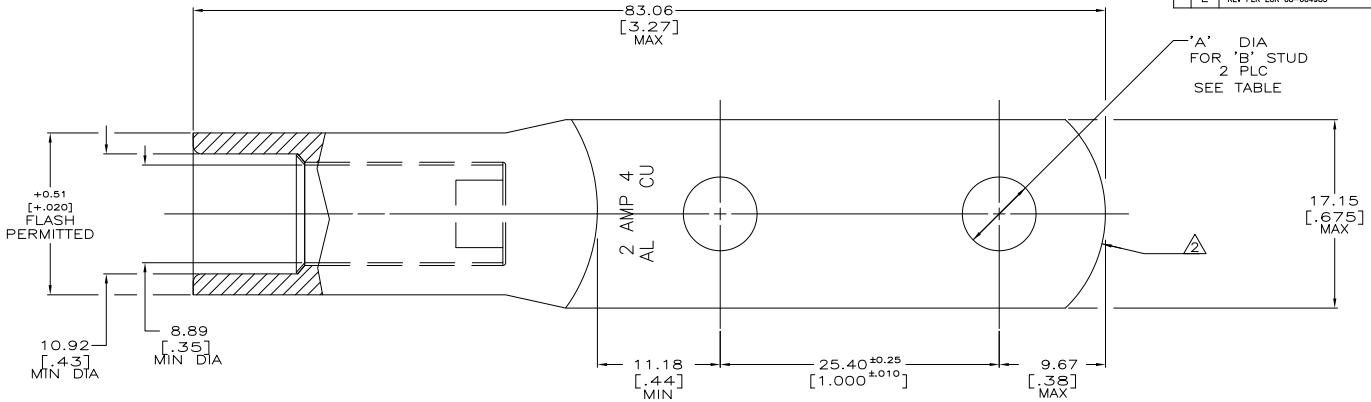
3

2

1

THIS DRAWING IS UNPUBLISHED. RELEASED FOR PUBLICATION  
 © COPYRIGHT BY TYCO ELECTRONICS CORPORATION. ALL RIGHTS RESERVED.

LOC	DIST	REVISIONS		
P	LTR	DESCRIPTION	DATE	BY
G	86	REV PER ECR 08-004985	26FEB08	JR MS



1 WIRE INSULATION: 8.64[.340] - 9.65[.380] DIA  
 △ THE TONGUE RADIUS FEATURE IS NOT A TOOLING CONTROLLED DIMENSION AND MAY NOT BE A TRUE RADIUS.

43 GRAMS	9.9 <sup>+0.13</sup> [.390 <sup>+0.005</sup> ]	3/8	BODY: COPPER ASTM-B187 ANNEALED TIN PL MIL-T-10727 0.00457[.000150] MIN THK	55835-2
44 GRAMS	6.73 <sup>+0.13</sup> [.265 <sup>+0.005</sup> ]	1/4	INSERT & FUNNEL: BRASS PER ASTM B36 NICKEL PLATE SAE AMS QQ-N-290A, DATED JULY 2000, 0.00254 [.000100] MIN THK	55835-1
WEIGHT	"A"	"B"	MATERIAL AND FINISH	PART NO.

THIS DRAWING IS A CONTROLLED DOCUMENT.		DRK SCHRUM 6/15/92	Tyco Electronics Corporation Harrisburg, PA 17105-3608	
DIMENSIONS: MM [ INCHES ]		CHK WJ VOCKROTH 6/16/92	NAME	
OTHER DIMENSIONS: OTHER DIMENSIONS:		APR AL KAUFMAN 6/16/92	WIRE TERMINAL, COPALUM SEALED, RING TONGUE, WIRE SIZE: 2 AL, 4 COPPER	
MATERIAL		PRODUCT SPEC: 108-11011	SIZE	QAGE CODE
FINISH		APPLICATION SPEC: 114-2134	REV	REV
SEE TABLE	SEE TABLE	RIGHT: SEE TABLE	A2	00779C-55835
		CUSTOMER DRAWING	SCALE	4:1
			SHEET	1 of 1
			REV	E

AMP 1471-9 REV 31MM2000

55835