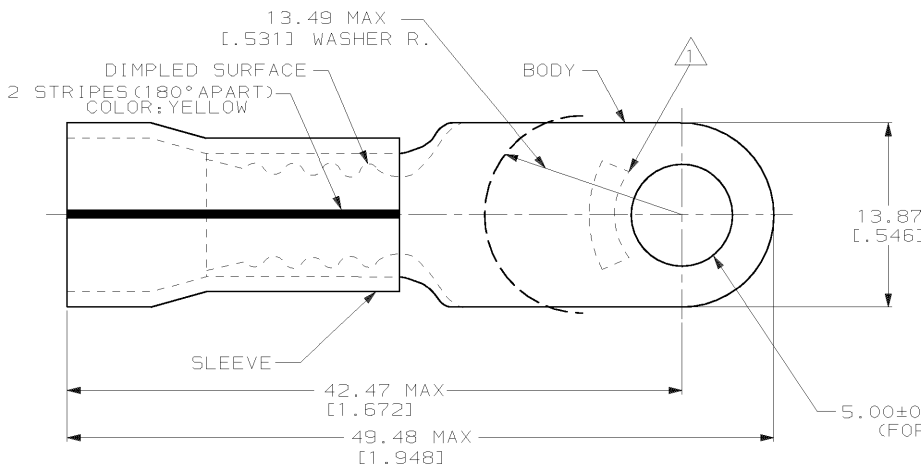


THIS DRAWING IS UNPUBLISHED. RELEASED FOR PUBLICATION, 19 .
 © COPYRIGHT 19 BY AMP INCORPORATED. ALL INTERNATIONAL RIGHTS RESERVED.

LOC	DIST	P	F	ZONE	LTR	REVISIONS	DATE	APPD
G	14				E	REV PER 063A-0363-01	10JUL01	JR/TH



AMP
WIRE RANGE

4 AWG
STRANDED

METRIC
DIMENSIONS LISTED IN mm [INCHES]

NOTE:
 1. STAMP AMP 4* LOCATE APPROX AS SHOWN
 2. TONGUE MATERIAL THK 1.22±0.08 [.048±.003]
 3. WIRE INSULATION DIA 13.08 [.515] MAX

AMP INCORPORATED CUSTOMER SERVICE SYSTEMS		MAX RECOMMENDED OPERATING TEMPERATURE: 150°C	100 QTY	LOOSE PC PACKAGE TYPE	53949-1 PART NO
FOR ADDITIONAL PRODUCT INFORMATION OR COPIES OF DRAWINGS AND TECHNICAL DOCUMENTS PRODUCT INFORMATION CENTER 1-800-522-6752	FOR APPLICATION TOOLING ASSISTANCE CENTER 1-800-722-1111	VOLTAGE RATING: 600 V MAX	AMP AMP Incorporated Harrisburg, PA 17105-3608		
FOR ORDER ENTRY 1-800-526-5142	THIS DRAWING IS A CONTROLLED DOCUMENT FOR AMP INCORPORATED. IT IS SUBJECT TO CHANGE AND THE CONTROLLING ENGINEERING ORGANIZATION SHOULD BE CONTACTED FOR THE LATEST REVISION.	CIRCULAR MIL AREA: 16.77-26.65mm² [33, 100-52, 600] STRANDED	NAME TERMINAL, RING TONGUE, PVF ² , PLASTI-GRIP, WIRE SIZE: 4 AWG		
		DO NOT SCALE PRINT. UNLESS SPECIFIED DIMENSIONS IN INCHES: TOLERANCES ON: 2. PLC DEC ± 0.20(.008) 3. PLC DEC ± - ANGLES ± -	DR 10-6-93 S.S. GOLDEN CHK 10-6-93 R. HERSEY APPD 10-6-93 B. BARE APPD 10-6-93 M. ELLIS	PRODUCT SPEC NOT AVAILABLE	
		MATERIAL COPPER PER ASTM B-152 PVF ² , COLOR: NATURAL	APPLICATION SPEC NOT AVAILABLE	SIZE B	CAGE CODE 00779
		FINISH TIN/LEAD (93-7) PLATE PER ASTM B545	WEIGHT -	DRAWING NO C=53949	SHEET 1 OF 1