

4

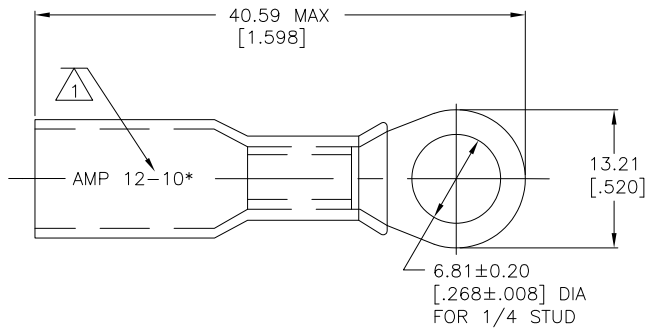
3

2

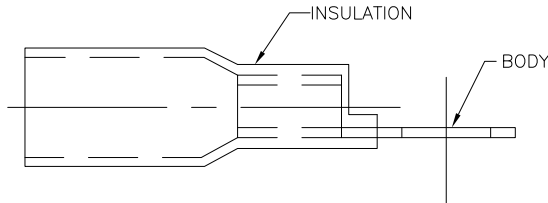
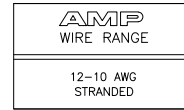
1

THIS DRAWING IS UNPUBLISHED. RELEASED FOR PUBLICATION
 © COPYRIGHT - BY TYCO ELECTRONICS CORPORATION. ALL INTERNATIONAL RIGHTS RESERVED.

| LOC | DIST | REVISIONS | | | | |
|-----|------|---------------------------|---------|-----|------|--|
| P | LTR | DESCRIPTION | DATE | DWN | APVD | |
| G | 14 | | | | | |
| | D | REVISED PER ECR-09-027352 | 17FEB10 | JR | TM | |



- 1 STAMP AMP 12-10* APPROX AS SHOWN
- 2 WIRE INSULATION DIA 6.10 [.240] MAX
- 3 TONGUE MATERIAL THK 1.02±0.05 [.040±.002]



| | | |
|-----|--------------|-----------|
| 25 | LOOSE PIECE | 8-55858-3 |
| 500 | LOOSE PIECE | 55858-1 |
| QTY | PACKAGE TYPE | PART NO |

AMP INCORPORATED
CUSTOMER SERVICE SYSTEMS

MAX RECOMMENDED OPERATING TEMPERATURE:
125° C MAX

THIS DRAWING IS A CONTROLLED DOCUMENT.

FOR ADDITIONAL PRODUCT INFORMATION OR COPIES OF DRAWINGS AND TECHNICAL DOCUMENTS

PRODUCT INFORMATION CENTER
1-800-522-6752

FOR APPLICATION TOOLING INFORMATION

TOOLING ASSISTANCE CENTER
1-800-722-1111

FOR ORDER ENTRY

1-800-526-5142

THIS DRAWING IS A CONTROLLED DOCUMENT FOR AMP INCORPORATED. IT IS SUBJECT TO CHANGE AND THE CONTROLLING ENGINEERING ORGANIZATION SHOULD BE CONTACTED FOR THE LATEST REVISION.

| DIMENSIONS: | TOLERANCES UNLESS OTHERWISE SPECIFIED: |
|-------------|--|
| mm [INCHES] | |
| 0 PLC | ± - |
| 1 PLC | ± - |
| 2 PLC | ± 0.20[.008] |
| 3 PLC | ± - |
| 4 PLC | ± - |
| ANGLES | ± - |

MATERIAL: BODY: ETP COPPER
INSULATION: POLYOLEFIN
COLOR: YELLOW

FINISH: EDP TIN PLATED

| | | |
|------------------|-------------|------|
| DWN | S S GOULDEN | 6/93 |
| CHK | R HERSEY | 6/93 |
| APVD | B BARE | 6/93 |
| PRODUCT SPEC | | |
| APPLICATION SPEC | | |
| 408-4022 | | |
| WEIGHT | | |
| CUSTOMER DRAWING | | |

| | | |
|---|------------|---------------|
| Tyco Electronics Corporation Harrisburg, PA 17105-3608 | | |
| NAME: TERMINAL, RING TONGUE, SEALABLE HEAT SHRINKABLE | | |
| SIZE | CAGE CODE | DRAWING NO |
| A3 | 00779 | C-55858 |
| RESTRICTED TO | | |
| | SCALE: NTS | SHEET: 1 OF 1 |
| | | REV: D |