

4

3

2

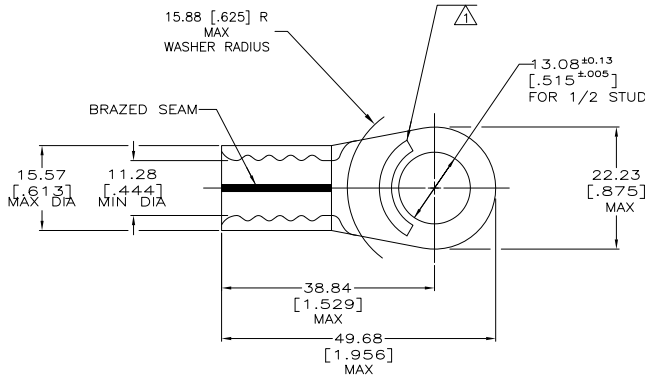
1

THIS DRAWING IS UNPUBLISHED. RELEASED FOR PUBLICATION
 © COPYRIGHT BY TYCO ELECTRONICS CORPORATION. ALL RIGHTS RESERVED.

PART NO	PKG TYPE	QTY
8-36919-3	BOX	25
8-36919-5	BAG	5
36919	BOX	50

LOC	DIST	REVISIONS				
		P	LR	DATE	BY	APPD
G	14	K2		REVISED PER EOR 09-015243	29 JUL 09	JR TM

AMP WIRE RANGE	Listed FILE E13288
1/0 AWG STRANDED	1/0 AWG STRANDED
LR7189 Certified	MILITARY P/N AND CLASS
1/0 AWG STRANDED	MS 20659-135 CLASS 2



- 1. STAMP AMP 1/0W* APPROX AS SHOWN
- 2. MATERIAL THK IS 1.78±0.08 [.070±.003]
- 3. COPPER PER ASTM B-152, ANNEALED
- 4. TIN PLATE 0.00254 [.000100] MIN THK PER ASTM B-545

AMP INCORPORATED CUSTOMER SERVICE SYSTEMS		MAX RECOMMENDED OPERATING TEMPERATURE: 170°C MAX
FOR ADDITIONAL PRODUCT INFORMATION OR COPIES OF DRAWINGS AND TECHNICAL DOCUMENTS 1-800-522-6752	PRODUCT INFORMATION CENTER 1-800-522-6752	VOLTAGE RATING: N/A
FOR APPLICATION TOOLING INFORMATION 1-800-722-1111	TOOLING ASSISTANCE CENTER 1-800-722-1111	CIRCULAR MIL AREA: 42.4-60.6mm² [83,700-119,500] STRANDED
FOR ORDER ENTRY 1-800-526-5142	THIS DRAWING IS A CONTROLLED DOCUMENT FOR AMP INCORPORATED. IT IS SUBJECT TO CHANGE AND THE CONTROLLING BUSINESS ORGANIZATION SHOULD BE CONTACTED FOR THE LATEST REVISION.	

THIS DRAWING IS A CONTROLLED DOCUMENT.		DR: DK SCHRUM 7/21/91	Tyco Electronics Corporation Harrisburg, PA 17105-3608	
DIMENSIONS: MM (INCHES)		CR: SD HEIM 8/15/91		
MATERIAL: -		APD: AL KAUFMAN 8/15/91	TERMINAL, RING TONGUE, SOLISTRAND	
FINISH: -		APPLICATION SPEC: -	SIZE: A2	CAGE CODE: 00779
		HEIGHT: -	DRAWING NO: C=36919	
			CUSTOMER DRAWING	
			SCALE: 2:1	SHEET: 1 of 2
				REV: K2

36919

A

AMP 1471-9 REV 31MM2000

4

3

2

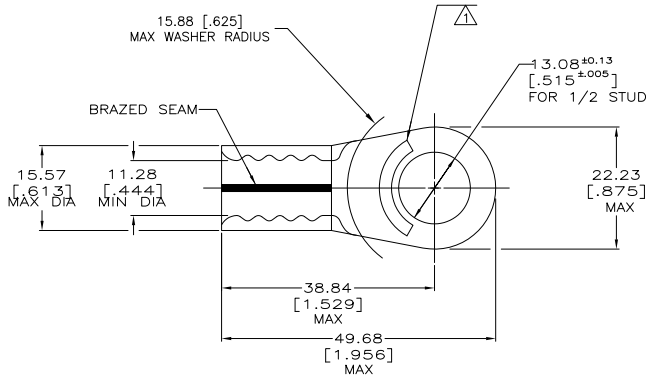
1

THIS DRAWING IS UNPUBLISHED.			RELEASED FOR PUBLICATION		
© COPYRIGHT BY TYCO ELECTRONICS CORPORATION. ALL RIGHTS RESERVED.					
PART NO	PKG TYPE	QTY			
36919-1	BOX	50			

LOC	DIST	REV	DESCRIPTION	DATE	BY	APPD
G	14	P	SEE SHEET 1			

AMP
WIRE RANGE

1/0 AWG
SOLID OR STRANDED



- △ STAMP AMP 1/0W* APPROX AS SHOWN
- 2 MATERIAL THK IS 1.78±0.08 [.070±.003]
- △ COPPER PER ASTM B-152, ANNEALED
- △ NICKEL PLATE 0.00762 [.000300] MIN THK PER QQ-N-290

AMP INCORPORATED CUSTOMER SERVICE SYSTEMS		MAX. RECOMMENDED OPERATING TEMPERATURE: 343°C MAX.
FOR ADDITIONAL PRODUCT INFORMATION OR COPIES OF DRAWINGS AND TECHNICAL DOCUMENTS	PRODUCT INFORMATION CENTER 1-800-522-6752	VOLTAGE RATING: N/A
FOR APPLICATION	TOOLING ASSISTANCE CENTER	CIRCULAR MIL AREA: 42.4-60.6mm² [83,700-119,500] SOLID OR STRANDED
TOOLING INFORMATION	1-800-722-1111	
FOR ORDER ENTRY	1-800-526-5142	THIS DRAWING IS A CONTROLLED DOCUMENT FOR AMP INCORPORATED. IT IS SUBJECT TO CHANGE AND THE CONTROLLING BUSINESS ORGANIZATION SHOULD BE CONTACTED FOR THE LATEST REVISION.

THIS DRAWING IS A CONTROLLED DOCUMENT.		DR: DK SCHRUM 7/21/91	Tyco Electronics Corporation Harrisburg, PA 17105-3608	
DIMENSIONS: MM (INCHES)		CR: RD HEIM 8/15/91	TERMINAL, RING TONGUE, HEAT RESISTANT STRATO-THERM	
MATERIAL: - △		APR: AL KAUFMAN 8/15/91	SIZE: A2	CAGE CODE: 00779
FINISH: - △		APPLICATION SPEC: -	DRAWING NO: C-36919	RESTRICTED TO: -
		HEIGHT: -	SCALE: 2:1	SHEET: 2 of 2
				REV: K2

AMP 1471-9 REV 31MM2000

36919

A