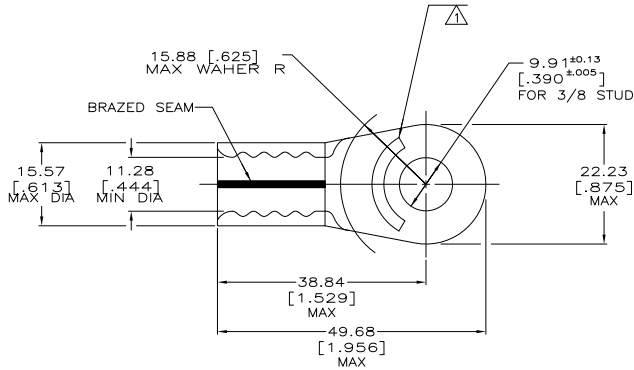


THIS DRAWING IS UNPUBLISHED. RELEASED FOR PUBLICATION. ALL RIGHTS RESERVED.

AMP PART NO	MATERIAL	PKG TYPE	QTY
8-36917-3	M/F 8-36917-0	BOX	25
8-36917-5	M/F 8-36917-0	BAG	5

REV	DATE	DESCRIPTION	BY	APPD
L3		REVISED PER ECO-11-004917	RK	HMR

AMP WIRE RANGE	Listed FILE E13288	LR7189 Certified
1/0 AWG STRANDED	1/0 AWG STRANDED	1/0 AWG STRANDED



- 1 STAMP AMP 1/0W* APPROX AS SHOWN
- 2 MATERIAL THK: 1.78 ± 0.08 [.070 ± 0.003]
- 3 0.00254 [.000100] MIN TIN PLATE PER ASTM B-545

AMP INCORPORATED CUSTOMER SERVICE SYSTEMS		MAX RECOMMENDED OPERATING TEMPERATURE: 170° C MAX
FOR ADDITIONAL PRODUCT INFORMATION OR COPIES OF DRAWINGS AND TECHNICAL DOCUMENTS	PRODUCT INFORMATION CENTER 1-800-522-6752	VOLTAGE RATING: N/A
FOR APPLICATION TOOLING INFORMATION	TOOLING ASSISTANCE CENTER 1-800-722-1111	CIRCULAR MIL AREA: 42.4-60.6mm ² [83,700-119,500] SOLID OR STRANDED
FOR ORDER ENTRY	1-800-526-5142	THIS DRAWING IS A CONTROLLED DOCUMENT FOR AMP INCORPORATED. IF IS SUBJECT TO CHANGE AND THE CONTROLLING ENGINEERING ORGANIZATION SHOULD BE CONTACTED FOR THE LATEST REVISION.

THIS DRAWING IS A CONTROLLED DOCUMENT.		DN DK SCHRUM 7/21/91	36917																
		DR RD HEIM 8/15/91	PART NO.																
		APR AJ KAUFFMAN 8/15/91	TE Connectivity																
DIMENSIONS: mm[INCHES]		TOLERANCES UNLESS OTHERWISE SPECIFIED:	TERMINAL, RING TONGUE, SOLISTRAND																
<table border="1"> <tr><td>Ø</td><td>1 PUC</td><td>± .005</td></tr> <tr><td>1</td><td>1 PUC</td><td>± .005</td></tr> <tr><td>2</td><td>1 PUC</td><td>± 0.20(.008)</td></tr> <tr><td>3</td><td>1 PUC</td><td>± .005</td></tr> <tr><td>4</td><td>1 PUC</td><td>± .005</td></tr> </table>		Ø	1 PUC	± .005	1	1 PUC	± .005	2	1 PUC	± 0.20(.008)	3	1 PUC	± .005	4	1 PUC	± .005	PRODUCT SPEC: ---	SIZE: A2	
Ø	1 PUC	± .005																	
1	1 PUC	± .005																	
2	1 PUC	± 0.20(.008)																	
3	1 PUC	± .005																	
4	1 PUC	± .005																	
MATERIAL: COPPER ASTM B-152 ANNEALED		FINISH: 3	WEIGHT: ---	DRAWING NO: 00779															
			CUSTOMER DRAWING	SCALE: 2:1															
				SHEET: 1 of 1															
				REV: 1.3															

1471-9 (5/11)

36917