

4

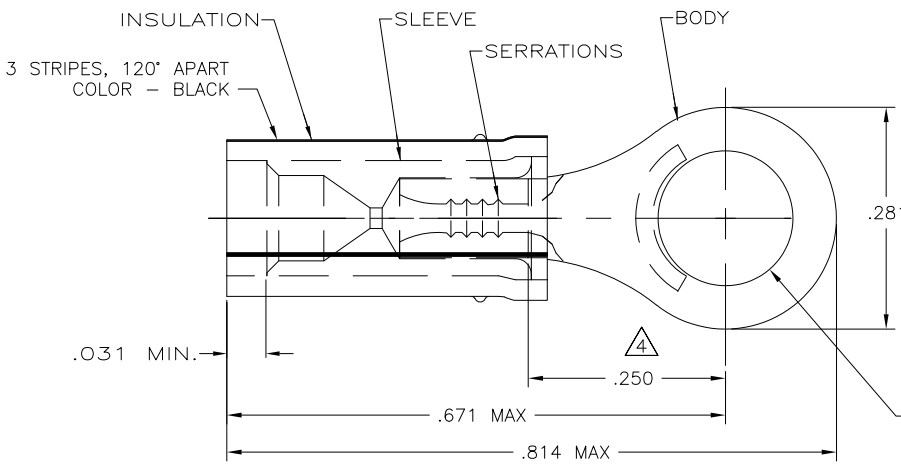
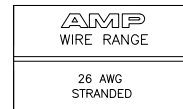
3

2

1

THIS DRAWING IS UNPUBLISHED. RELEASED FOR PUBLICATION
 © COPYRIGHT - BY TYCO ELECTRONICS CORPORATION. ALL INTERNATIONAL RIGHTS RESERVED.

LOC	DIST	REVISIONS			
P	LTR	DESCRIPTION	DATE	DWN	APVD
G	14				
		E	REV PER ECR 08-027659	31OCT08	JR TM



1. TONGUE MATERIAL THK: $.027 \pm .001$
2. FOR $.026$ TO $.055$ WIRE INS. OD.
3. MUST BE CRIMPED WITH 22-18 OR 22-16 PIDG (RED) TOOL.
4. APPLIED FROM EDGE OF METAL WIRE BARREL TO CENTER OF STUD HOLE.
5. BODY & SLEEVE: CU PER ASTM B152
INSULATION: NYLON, COLOR - YELLOW
6. BODY; TIN PLATE PER ASTM B545
SLEEVE: NI PLATE PER QQ-N-290

$\phi .171 \pm .003$
FOR #8 STUD

M792B/1-4 CLASS 1 & 2	1	WIRE TERMINAL	53051
MILITARY P/N AND CLASS	QTY	PACKAGE TYPE	PART NO

AMP INCORPORATED CUSTOMER SERVICE SYSTEMS		MAX RECOMMENDED OPERATING TEMPERATURE: 105°C [221°F]	THIS DRAWING IS A CONTROLLED DOCUMENT.		DWN JR RUTH 28OCT08	Tyco Electronics Corporation Harrisburg, PA 17105-3608	
FOR ADDITIONAL PRODUCT INFORMATION OR COPIES OF DRAWINGS AND TECHNICAL DOCUMENTS	PRODUCT INFORMATION CENTER 1-800-522-6752	VOLTAGE RATING: 300V MAX	DIMENSIONS: INCHES FRAMES	TOLERANCES UNLESS OTHERWISE SPECIFIED: 0 PLC ± - 1 PLC ± - 2 PLC ± .008 3 PLC ± - 4 PLC ± - ANGLES ± -	CHK TOM MICHIELUTTI 28OCT08	NAME TOM MICHIELUTTI	
FOR APPLICATION	TOOLING ASSISTANCE CENTER 1-800-722-1111	CIRCULAR MIL AREA: 0.12-0.15mm ² [238-304] STRANDED			APVD TOM MICHIELUTTI 28OCT08	PRODUCT SPEC	
TOOLING INFORMATION						APPLICATION SPEC	
FOR ORDER ENTRY	1-800-526-5142	THIS DRAWING IS A CONTROLLED DOCUMENT FOR AMP INCORPORATED. IT IS SUBJECT TO CHANGE AND THE CONTROLLING ENGINEERING ORGANIZATION SHOULD BE CONTACTED FOR THE LATEST REVISION.		MATERIAL 5	FINISH 6	SIZE A3	CAGE CODE 00779
				DRAWING NO 53051		RESTRICTED TO	
				CUSTOMER DRAWING		SCALE 8:1	SHEET 1 OF 1
						REV E	

1470-19 (1/08)