

4

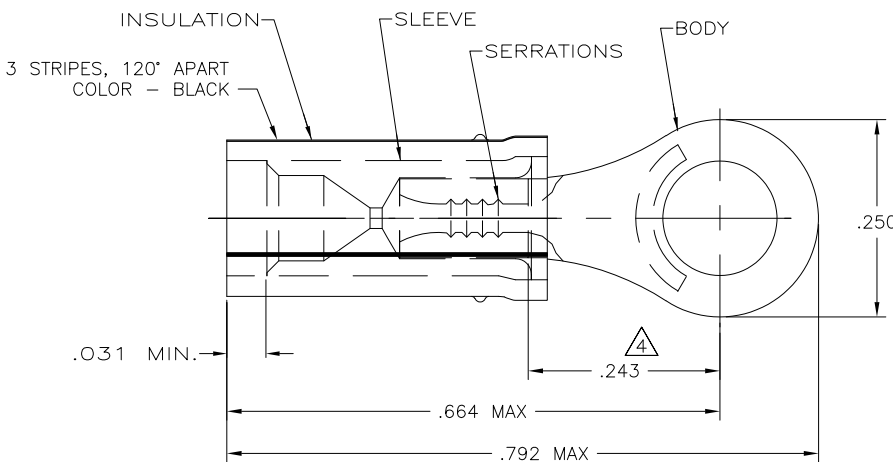
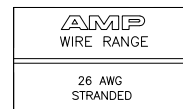
3

2

1

THIS DRAWING IS UNPUBLISHED. RELEASED FOR PUBLICATION
 © COPYRIGHT - BY TYCO ELECTRONICS CORPORATION. ALL INTERNATIONAL RIGHTS RESERVED.

LOC	DIST	REVISIONS			
P	LTR	DESCRIPTION	DATE	DWN	APVD
G	14	F	REV PER ECR 08-027659	31OCT08	JR TM



1. TONGUE MATERIAL THK: .027±.001
2. FOR .026 TO .055 WIRE INS. OD.
3. MUST BE CRIMPED WITH 22-18 OR 22-16 PIDG (RED)TOOL.
4. APPLIED FROM EDGE OF METAL WIRE BARREL TO CENTER OF STUD HOLE.
5. BODY & SLEEVE: CU PER ASTM B152
INSULATION: NYLON, COLOR - YELLOW
6. BODY; TIN PLATE PER ASTM B545
SLEEVE: NI PLATE PER QQ-N-290

M792B/1-3 CLASS 1 & 2	1	WIRE TERMINAL	53050
MILITARY P/N AND CLASS	QTY	PACKAGE TYPE	PART NO

AMP INCORPORATED CUSTOMER SERVICE SYSTEMS		MAX RECOMMENDED OPERATING TEMPERATURE: 105°C [221°F]	THIS DRAWING IS A CONTROLLED DOCUMENT.		DWN JR RUTH 28OCT08	Tyco Electronics Corporation Harrisburg, PA 17105-3608			
FOR ADDITIONAL PRODUCT INFORMATION OR COPIES OF DRAWINGS AND TECHNICAL DOCUMENTS	PRODUCT INFORMATION CENTER 1-800-522-6752	VOLTAGE RATING: 300V MAX	DIMENSIONS: INCHES FRACTIONS	TOLERANCES UNLESS OTHERWISE SPECIFIED:	CHK TOM MICHIELUTTI 28OCT08				
FOR APPLICATION	TOOLING ASSISTANCE CENTER 1-800-722-1111	CIRCULAR MIL AREA: 0.12-0.15mm² [238-304] STRANDED		0 PLC ± - 1 PLC ± - 2 PLC ± .008 3 PLC ± - 4 PLC ± - ANGLES ± -	APVD TOM MICHIELUTTI 28OCT08	NAME TERMINAL, PIDG, RING TONGUE, INSULATION RESTRICTING WIRE SIZE: 26			
FOR ORDER ENTRY	1-800-526-5142	THIS DRAWING IS A CONTROLLED DOCUMENT FOR AMP INCORPORATED. IT IS SUBJECT TO CHANGE AND THE CONTROLLING ENGINEERING ORGANIZATION SHOULD BE CONTACTED FOR THE LATEST REVISION.		MATERIAL 5	FINISH 6	SIZE A3	CAGE CODE 00779	DRAWING NO 53050	RESTRICTED TO -
CUSTOMER DRAWING						SCALE 8:1	SHEET 1 OF 1	REV F	

1470-19 (1/08)