

4

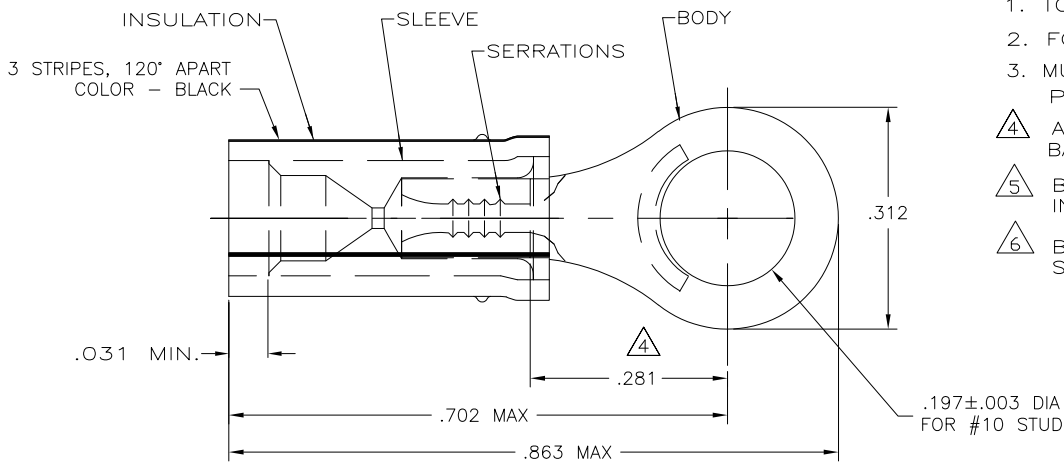
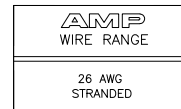
3

2

1

THIS DRAWING IS UNPUBLISHED. RELEASED FOR PUBLICATION  
 © COPYRIGHT - BY TYCO ELECTRONICS CORPORATION. ALL INTERNATIONAL RIGHTS RESERVED.

LOC	DIST	REVISIONS			
P	LTR	DESCRIPTION	DATE	DWN	APVD
G	14				
	D	REV PER ECR 08-027659	31OCT08	JR	TM



1. TONGUE MATERIAL THK:  $.027 \pm .001$
2. FOR  $.026$  TO  $.055$  WIRE INS. OD.
3. MUST BE CRIMPED WITH 22-18 OR 22-16 PIDG (RED) TOOL.
4. APPLIED FROM EDGE OF METAL WIRE BARREL TO CENTER OF STUD HOLE.
5. BODY & SLEEVE: CU PER ASTM B152  
INSULATION: NYLON, COLOR - YELLOW
6. BODY; TIN PLATE PER ASTM B545  
SLEEVE: NI PLATE PER QQ-N-290

M792B/1-5 CLASS 1 & 2	1	WIRE TERMINAL	53052
MILITARY P/N AND CLASS	QTY	PACKAGE TYPE	PART NO
THIS DRAWING IS A CONTROLLED DOCUMENT.		Tyco Electronics Corporation Harrisburg, PA 17105-3608	
DWN JR RUTH 28OCT08	CHK TOM MICHIELUTTI 28OCT08	NAME TOM MICHIELUTTI	
APVD TOM MICHIELUTTI 28OCT08	PRODUCT SPEC TERMINAL, PIDG, RING TONGUE, INSULATION RESTRICTING WIRE SIZE: 26		
APPLICATION SPEC	SIZE A3	CAGE CODE 00779	DRAWING NO 53052
WEIGHT	RESTRICTED TO		REV D
CUSTOMER DRAWING		SCALE 8:1	SHEET 1 OF 1

AMP INCORPORATED CUSTOMER SERVICE SYSTEMS		MAX RECOMMENDED OPERATING TEMPERATURE: 105°C [221°F]
FOR ADDITIONAL PRODUCT INFORMATION OR COPIES OF DRAWINGS AND TECHNICAL DOCUMENTS	PRODUCT INFORMATION CENTER 1-800-522-6752	VOLTAGE RATING: 300V MAX
FOR APPLICATION	TOOLING ASSISTANCE CENTER 1-800-722-1111	CIRCULAR MIL AREA: 0.12-0.15mm <sup>2</sup> [238-304] STRANDED
FOR ORDER ENTRY	1-800-526-5142	THIS DRAWING IS A CONTROLLED DOCUMENT FOR AMP INCORPORATED. IT IS SUBJECT TO CHANGE AND THE CONTROLLING ENGINEERING ORGANIZATION SHOULD BE CONTACTED FOR THE LATEST REVISION.

1470-19 (1/08)