

4

3

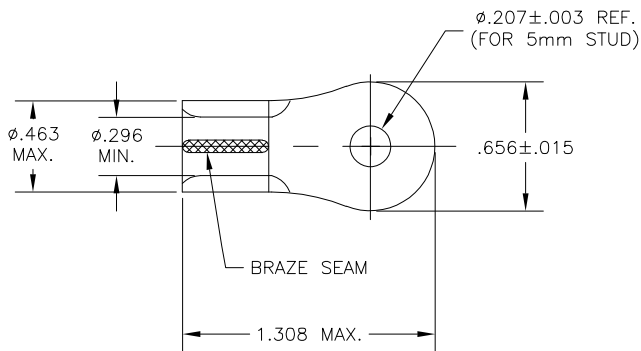
2

1

THIS DRAWING IS UNPUBLISHED. RELEASED FOR PUBLICATION
 © COPYRIGHT - BY TYCO ELECTRONICS CORPORATION. ALL RIGHTS RESERVED.

LOC	DIST	REVISIONS				
P	LTR	DESCRIPTION	DATE	DWN	APVD	
G	86	A	DRAWN	10MAR06	JR	TM

- 1 WIRE SIZE IS #4 AWG
- 2 TONGUE THICKNESS IS .070±.003



160119
 PART NO.

THIS DRAWING IS A CONTROLLED DOCUMENT.		DWN JR RUTH 10MAR06	tyco Electronics		Tyco Electronics Corporation Harrisburg, PA 17105-3608
DIMENSIONS: INCHES		CHK T. MICHELUTTI 10MAR06	NAME T. MICHELUTTI		
TOLERANCES UNLESS OTHERWISE SPECIFIED:		APVD T. MICHELUTTI 10MAR06	PRODUCT SPEC		
0 PLC ± -		APPLICATION SPEC			
1 PLC ± -		SIZE			
2 PLC ± -		CAGE CODE			
3 PLC ± .008		DRAWING NO			
4 PLC ± -		RESTRICTED TO			
ANGLES ± -		A3 00779 C-160119			
MATERIAL COPPER, ANNEALED	FINISH TIN PLATE	WEIGHT		SCALE 2:1	
CUSTOMER DRAWING		SHEET 1 OF 1		REV A	

AMP 1470-19 REV 31MAR2000