

4

3

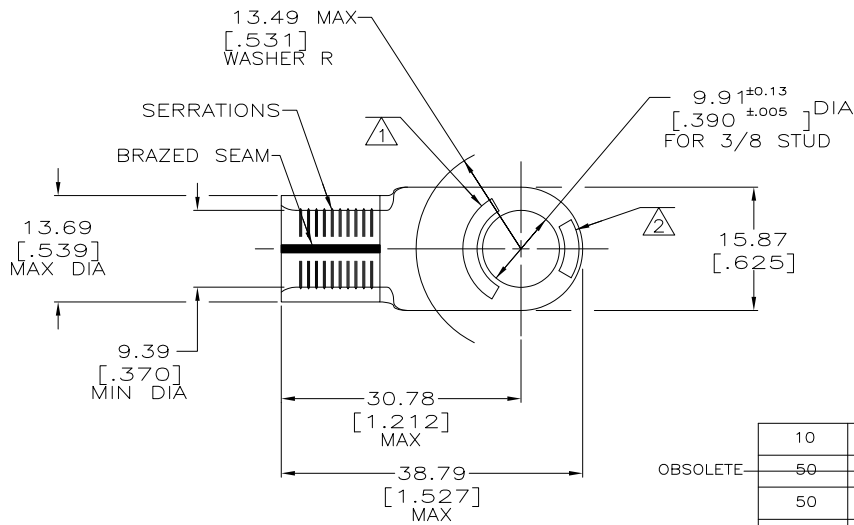
2

1

THIS DRAWING IS UNPUBLISHED. RELEASED FOR PUBLICATION
 © COPYRIGHT - By - ALL RIGHTS RESERVED.

LOC	DIST	REVISIONS			
P	LTR	DESCRIPTION	DATE	DWN	APVD
G	14	N1	REVISED PER ECO-11-004820	11MAR11	RK HMR

AMP WIRE RANGE	Listed FILE E13288	LR7189 Certified
2 AWG SOLID OR STRANDED	2 AWG STRANDED	2 AWG SOLID OR STRANDED



- ① STAMP AMP 2W* APPROX AS SHOWN
- ② STAMP 60-75 APPROX AS SHOWN
- ③ MATERIAL THK: 1.78 ±0.08 [.070 ±0.003]
- ④ TIN PLATE 0.00254 [.000100] MIN THK PER ASTM B-545
- ⑤ GOLD PLATE 0.00127 [.000050] MIN THK PER ASTM B-488, TYPE 2, GRADE C, OVER NICKEL PL. 0.00076 [.000030] MIN THK PER QQ-N-290
- ⑥ MEETS MS20659-114, CLASS 2
- ⑦ SUPERSEDED BY P/N 321600

QTY	PACKAGE TYPE	MILITARY	FINISH	PART NO
10	LOOSE PIECE, BAG	--	④	8-321600-5
50	LOOSE PIECE, BOX	--	④	8-321600-2
50	LOOSE PIECE	--	⑤	2-321600-1
50	LOOSE PIECE	⑥	④	321600

OBSOLETE

CUSTOMER SERVICE SYSTEMS

FOR ADDITIONAL
PRODUCT INFORMATION OR
COPIES OF DRAWINGS
AND TECHNICAL DOCUMENTS

PRODUCT INFORMATION CENTER
1-800-522-6752

FOR APPLICATION
TOOLING INFORMATION

TOOLING ASSISTANCE CENTER
1-800-722-1111

FOR ORDER ENTRY

1-800-526-5142

MAX RECOMMENDED OPERATING
TEMPERATURE:

170° C

VOLTAGE RATING:
N/A

CIRCULAR MIL AREA:
26.7-42.4mm² [52,600-83,700]
SOLID OR STRANDED

THIS DRAWING IS A CONTROLLED DOCUMENT.

DIMENSIONS:

INCHES



TOLERANCES UNLESS
OTHERWISE SPECIFIED:

0 PLC ± -
1 PLC ± -
2 PLC ± 0.20[.008]
3 PLC ± -
4 PLC ± -
ANGLES ± -

MATERIAL
COPPER ASTM B-152

SEE TABLE

DWN 5/25/83

CHK DK SCHRUM

APVD 1/27/94

RD HEIM

J MECKLEY

1/27/94

PRODUCT SPEC

APPLICATION SPEC

WEIGHT

CUSTOMER DRAWING



TE Connectivity

NAME

TERMINAL, RING TONGUE,
SOLISTRAND

SIZE

CAGE CODE

DRAWING NO

RESTRICTED TO

A3

00779

C-321600

SCALE

2:1

SHEET

1 OF 1

REV N1