

4

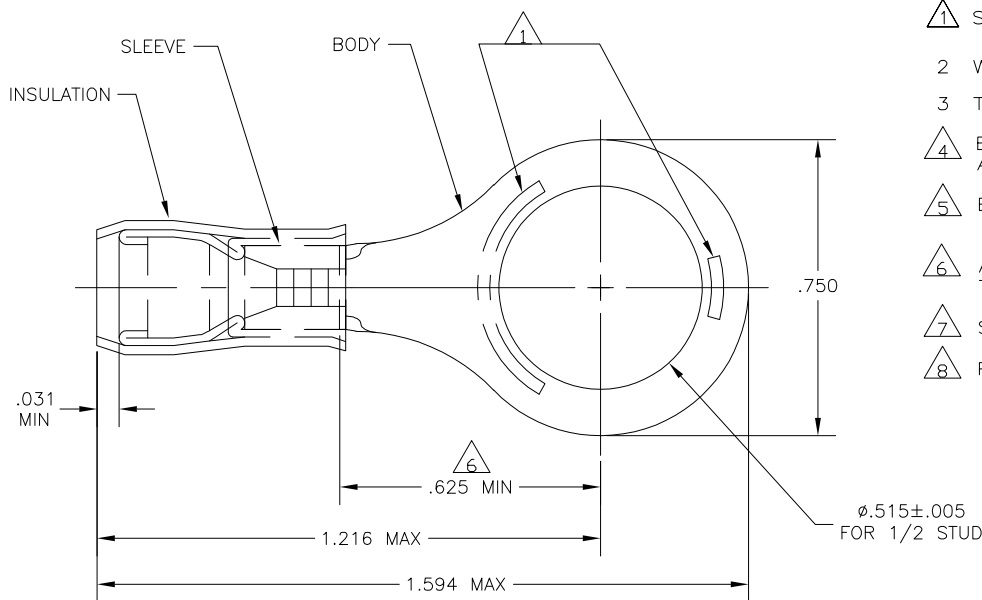
3

2

1

THIS DRAWING IS UNPUBLISHED. RELEASED FOR PUBLICATION  
 © COPYRIGHT - BY TYCO ELECTRONICS CORPORATION. ALL RIGHTS RESERVED.

| LOC | DIST | REVISIONS             |         |     |      |
|-----|------|-----------------------|---------|-----|------|
| P   | LTR  | DESCRIPTION           | DATE    | DWN | APVD |
| G   | 14   | REV PER ECR 07-003957 | 20FEB07 | JR  | TM   |



- 1 STAMP AMP 12-10\* 6-9 APPROX AS SHOWN
- 2 WIRE INSULATION DIA: .150-.250
- 3 TONGUE MATERIAL THK: .039±.002
- 4 BODY & SLEEVE: TIN PLATE PER ASTM B545
- 5 BODY & SLEEVE- CU PER ASTM B152 INSULATION - NYLON, COLOR - YELLOW
- 6 APPLIES FROM EDGE OF METAL WIRE BARREL TO CENTER OF STUD HOLE.
- 7 SUPERSEDED BY 8-35151-2
- 8 PRELIMINARY - NOT FOR PRODUCTION

|      |                  |           |   |
|------|------------------|-----------|---|
| 25   | LOOSE PIECE, BOX | 8-35151-4 | 7 |
| 50   | LOOSE PIECE, BOX | 8-35151-2 |   |
| 1000 | TAPE & REEL      | 2-35151-2 | 8 |
| 500  | LOOSE PIECE      | 35151     |   |
| QTY  | PACKAGE TYPE     | PART NO   |   |

|  |  |   |  |  |                                 |  |
|--|--|---|--|--|---------------------------------|--|
| AMP INCORPORATED<br>CUSTOMER SERVICE SYSTEMS                                     |  | MAX RECOMMENDED OPERATING TEMPERATURE:<br>105°C MAX   | THIS DRAWING IS A CONTROLLED DOCUMENT. |  | DWN<br>JR RUTH<br>20FEB07       | Tyco Electronics Corporation<br>Harrisburg, Pa 17105-3608          |
| FOR ADDITIONAL PRODUCT INFORMATION OR COPIES OF DRAWINGS AND TECHNICAL DOCUMENTS | PRODUCT INFORMATION CENTER<br>1-800-522-6752 | VOLTAGE RATING:<br>-  | DIMENSIONS:<br>INCHES                  | TOLERANCES UNLESS OTHERWISE SPECIFIED: | CHK<br>T MICHELUTTI<br>20FEB07  |  |
| FOR APPLICATION  | TOOLING ASSISTANCE CENTER<br>1-800-722-1111  | CIRCULAR MIL AREA:<br>2.62-6.64mm² [5.180-13.100]<br>STRANDED OR SOLID  |  | 0 PLC ± -                              | APVD<br>T MICHELUTTI<br>20FEB07 | NAME<br>TERMINAL, RING TONGUE,<br>P.I.D.G.<br>WIRE SIZE: 12-10 AWG |
| TOOLING INFORMATION  | 1-800-526-5142                               | THIS DRAWING IS A CONTROLLED DOCUMENT FOR AMP INCORPORATED. IT IS SUBJECT TO CHANGE AND THE CONTROLLING ENGINEERING ORGANIZATION SHOULD BE CONTACTED FOR THE LATEST REVISION. |  | 1 PLC ± -                              | 1 PLC ± -                       | PRODUCT SPEC   |
| FOR ORDER ENTRY  | 1-800-526-5142                               |   | 2 PLC ± -                              | 2 PLC ± -                              | APPLICATION SPEC                | CAGE CODE<br>00779   |
|  |  |   | 3 PLC ± .008                           | 3 PLC ± -                              | WEIGHT                          | DRAWING NO<br>35151  |
|  |  |   | 4 PLC ± -                              | 4 PLC ± -                              | CUSTOMER DRAWING                | RESTRICTED TO  |
|  |  |   | ANGLES ± -                             | FINISH                                 | SCALE<br>4:1                    | SHEET<br>1 OF 1  |
|  |  |   | MATERIAL                               | FINISH                                 | REV<br>G1                       |  |

AMP 1470-19 REV 31MAR2000