

4

3

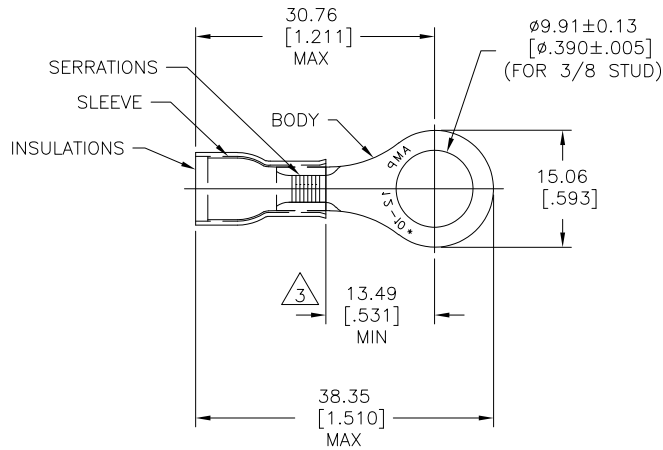
2

1

THIS DRAWING IS UNPUBLISHED. RELEASED FOR PUBLICATION
 © COPYRIGHT - BY TYCO ELECTRONICS CORPORATION. ALL INTERNATIONAL RIGHTS RESERVED.

LOC	DIST	REVISIONS				
P	LTR	DESCRIPTION	DATE	DWN	APVD	
G	14	C1	REVISED PER ECR-09-009459	11JUN09	HMR JR	

- 1 FOR 4.32[.170] TO 7.62[.300] WIRE INSULATION DIA
- 2 TONGUE MATERIAL THK 1.02±0.05[.040±.002]
- △3 APPLIES FROM EDGE OF METAL BARREL TO CENTERLINE OF STUD HOLE.



QTY	DESCRIPTION	MATERIAL & FINISH	PART NO
1	35478 ON TAPE	SLEEVE: COPPER ASTM-B152 BODY: COPPER ASTM-B152 TIN PL ASTM-B545	1-35478-0
1	WIRE TERMINAL	INSULATION: PVC COLOR: YELLOW	35478

THIS DRAWING IS A CONTROLLED DOCUMENT.

DIMENSIONS: mm [INCHES]	TOLERANCES UNLESS OTHERWISE SPECIFIED:	DWN RAGHAVEDRA 11JUN09	Tyco Electronics Corporation Harrisburg, PA 17105-3608	
	0 PLC ± -	CHK JEFF RUTH 11JUN09	NAME TOM MICHELUTTI	
	1 PLC ± -	APVD TOM MICHELUTTI 11JUN09	PRODUCT SPEC	
	2 PLC ± -	APPLICATION SPEC	WIRE TERMINAL PIDG - RING TONGUE WIRE SIZE: 12-10	
	3 PLC ± 0.20[.008]	WEIGHT	SIZE CAGE CODE DRAWING NO A3 00779 C-35478	
MATERIAL	FINISH	CUSTOMER DRAWING	RESTRICTED TO	
			SCALE 2:1	SHEET 1 OF 1 REV C1