

4

3

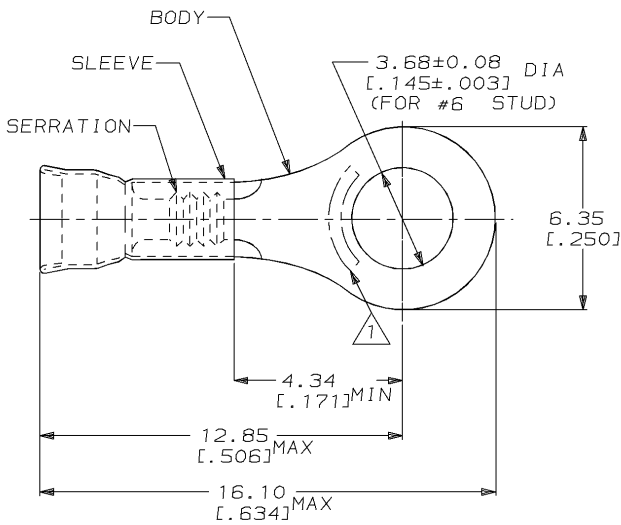
2

1

THIS DRAWING IS UNPUBLISHED. RELEASED FOR PUBLICATION
 © COPYRIGHT 19 BY AMP INCORPORATED. ALL RIGHTS RESERVED.

LOC	DIST	REVISIONS					
		P	LTR	DESCRIPTION	DATE	DWN	APVD
G	14	F		REDRAWN PER 0720-0470-95	23JAN95	LO	ME

AMP WIRE RANGE	E13288	LR7189 Certified
16-14 AWG SOLID OR STRANDED	16-14 AWG SOLID OR STRANDED	16-14 AWG SOLID OR STRANDED



△ STAMP AMP 16-14* LOCATE APPROX AS SHOWN

2. WIRE INSUL DIA, 2.67-3.81 [0.105-.150]

3. TONGUE MATL THK, 0.79±0.05 [0.031±.002]

-	-	-
1000	LOOSE PIECE	32188
QTY	PACKAGE TYPE	PART NO

AMP INCORPORATED CUSTOMER SERVICE SYSTEM		MAX RECOMMENDED OPERATING TEMPERATURE: 170°C [338°F]	THIS DRAWING IS A CONTROLLED DOCUMENT FOR AMP INCORPORATED. IT IS SUBJECT TO CHANGE AND THE CONTROLLING ENGINEERING ORGANIZATION SHOULD BE CONTACTED FOR THE LATEST REVISION.		DWN L OLMEDA 23JAN95	AMP AMP Incorporated Harrisburg, PA 17105-3608
FOR ADDITIONAL PRODUCT INFORMATION OR COPIES OF DRAWINGS AND TECHNICAL DOCUMENTS	PRODUCT INFORMATION CENTER 1-800-522-6752	VOLTAGE RATING: -	DIMENSIONS: mm [in]	TOLERANCES UNLESS OTHERWISE SPECIFIED: 0 PLC ±- 1 PLC ±- 2 PLC ±0.20 [0.008] 3 PLC ±- 4 PLC ±- ANGLES ±-	CHK M ELLIS 23JAN95	
FOR APPLICATION TOOLING INFORMATION	TOOLING ASSISTANCE CENTER 1-800-722-1111	CIRCULAR MIL AREA: 1.04mm ² -2.62mm ² [2050-5180]	MATERIAL BODY, CU, SLV, CU PER ASTM B152	FINISH TIN PLATE PER MIL-T-10727	APVD S BORTNER 23JAN95	PRODUCT SPEC UL486A
FOR ORDER ENTRY	1-800-526-5142	-	-	-	APPLICATION SPEC	WEIGHT -
AMP 1470-19 REV 09MAY94		AMP 1470-19 REV 09MAY94		AMP 1470-19 REV 09MAY94		SIZE A3
AMP 1470-19 REV 09MAY94		AMP 1470-19 REV 09MAY94		AMP 1470-19 REV 09MAY94		CAGE CODE 00779
AMP 1470-19 REV 09MAY94		AMP 1470-19 REV 09MAY94		AMP 1470-19 REV 09MAY94		DRAWING NO C-32188
AMP 1470-19 REV 09MAY94		AMP 1470-19 REV 09MAY94		AMP 1470-19 REV 09MAY94		SCALE 8:1
AMP 1470-19 REV 09MAY94		AMP 1470-19 REV 09MAY94		AMP 1470-19 REV 09MAY94		SHEET 1 OF 1
AMP 1470-19 REV 09MAY94		AMP 1470-19 REV 09MAY94		AMP 1470-19 REV 09MAY94		REV F
AMP 1470-19 REV 09MAY94		AMP 1470-19 REV 09MAY94		AMP 1470-19 REV 09MAY94		CUSTOMER DRAWING

AMP 1470-19 REV 09MAY94
 26 JAN 1995 07:22:34 AMP12360 <UJ128A>DEPT1132-U,DMG1132-U,REY-U,DIAMOND-GRIP-U,CUST