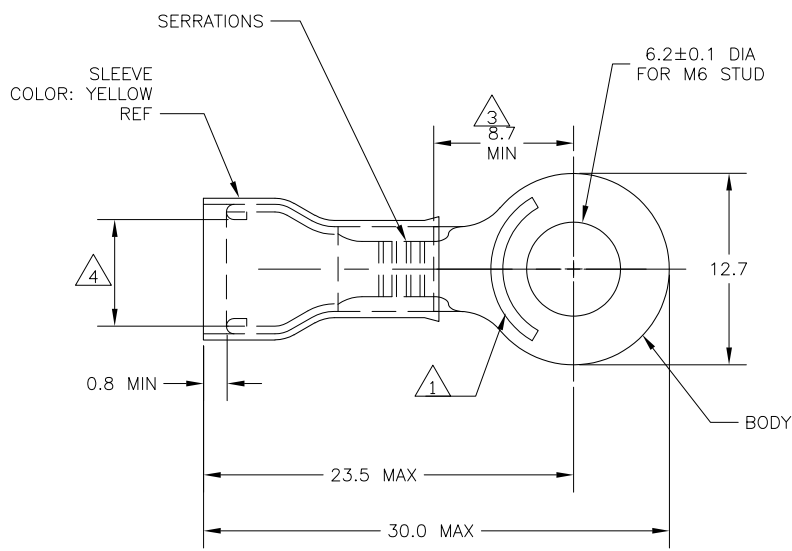


THIS DRAWING IS UNPUBLISHED. RELEASED FOR PUBLICATION
 © COPYRIGHT - By - ALL RIGHTS RESERVED.

LOC	DIST	REVISIONS					
G	14	P	LTR	DESCRIPTION	DATE	DWN	APVD
		A4		REVISED PER ECO-11-005027	12MAR11	RK	HMR



- 1 STAMP "AMP 12-10*", LOCATION APPROX AS SHOWN.
- 2 TONGUE THICKNESS IS 1.00±0.05
- 3 APPLIES TO EDGE OF METAL WIRE BARREL TO CENTER OF STUD HOLE.
- 4 WIRE INSULATION DIA RANGE 3.8-6.4
- 5 BODY - COPPER PER ASTM B152 SLEEVE - COPPER PER ASTM B152 INSULATION - NYLON
- 6 BODY - TIN PLATE PER ASTM B545 SLEEVE - TIN PLATE PER ASTM B545 INSULATION - COLOR-YELLOW
- 7 105°C MAX OPERATING TEMP.
- 8 300 VOLT MAX
- 9 2.62-6.64mm² [5,180-13,100 CMA] SOLID OR STRANDED

2500	ON TAPE & REEL	2-165028-1
500	LOOSE PIECE	165028
QTY	PACKAGE TYPE	PART NO

THIS DRAWING IS A CONTROLLED DOCUMENT.		DWN	29MAR07	STE TE Connectivity	
		CHK	29MAR07		
DIMENSIONS: MM		APVD		NAME	
TOLERANCES UNLESS OTHERWISE SPECIFIED:		T MICHIELUTTI		TERMINAL RING TONGUE, PIDG, WIRE SIZE 12-10	
0 PLC ± -	1 PLC ± 0.2	T MICHIELUTTI		-	
2 PLC ± -	3 PLC ± -	29MAR07		-	
4 PLC ± -	ANGLES ± 5°	PRODUCT SPEC		-	
MATERIAL		APPLICATION SPEC		-	
FINISH		WEIGHT		-	
-5		-		-	
-6		-		-	
CUSTOMER DRAWING				SIZE	RESTRICTED TO
				A3	-
				CAGE CODE	DRAWING NO
				00779	C=165028
				SCALE	SHEET
				4:1	1 of 1
				REV	A4