

4

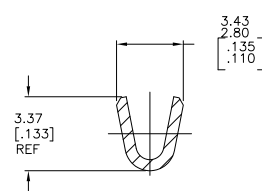
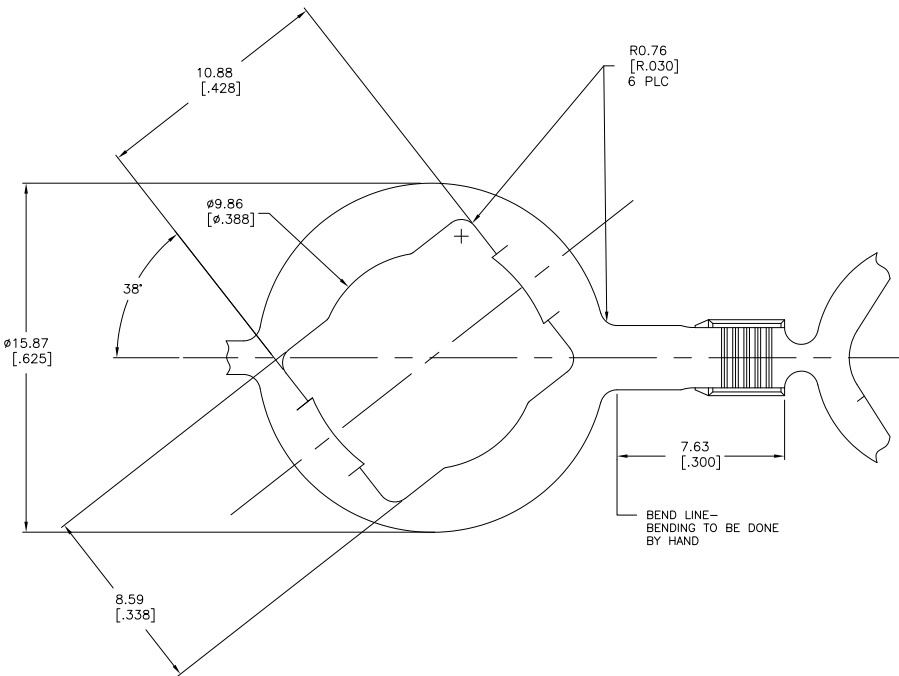
3

2

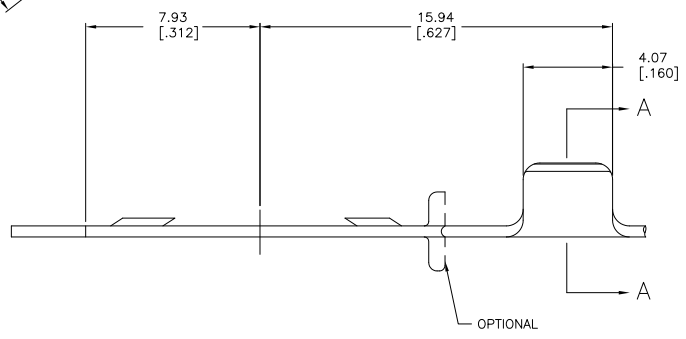
1

THIS DRAWING IS UNPUBLISHED. RELEASED FOR PUBLICATION
 © COPYRIGHT BY TYCO ELECTRONICS CORPORATION. ALL RIGHTS RESERVED.

LOC		DIST		REVISIONS			
F	LR	DATE	BY	APP'D	DESCRIPTION	DATE	BY
C1		24MAR08	HMR	DD	REVISED PER ECR-08-000270		



SECTION A-A



20-16 MAGNET WIRE	505017-1
Wire range	Part Number

THIS DRAWING IS A CONTROLLED DOCUMENT.		DRW: RAOCHAVENDRA	24MAR2008	Tyco Electronics Corporation	
DIMENSIONS: mm [INCHES]		CHK: DON DECKER	24MAR2008	Harrisburg, PA 17105-3608	
TOLERANCES UNLESS OTHERWISE SPECIFIED:		APP'D: DON DECKER	24MAR2008	NAME: RIGHT ANGLE LOCK RING	
0 PLC	± .005	PRODUCT SPEC:		SIZE: A2	CAGE CODE: 00779
1 PLC	± .005	APPLICATION SPEC:		DRAWING NO: C=505017	RESTRICTED TO:
2 PLC	± .005	WEIGHT:		CUSTOMER DRAWING	SCALE: 8:1
3 PLC	± .005				SHEET: 1 of 1
4 PLC	± .005				REV: C1
ANGLES	± 0.30				
MATERIAL: .020 BRASS	FINISH:				

AMP 1471-9 REV 31MAR2000