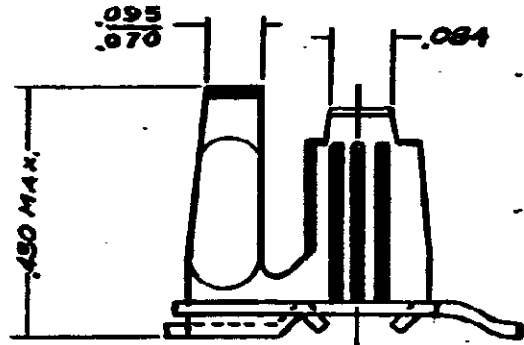
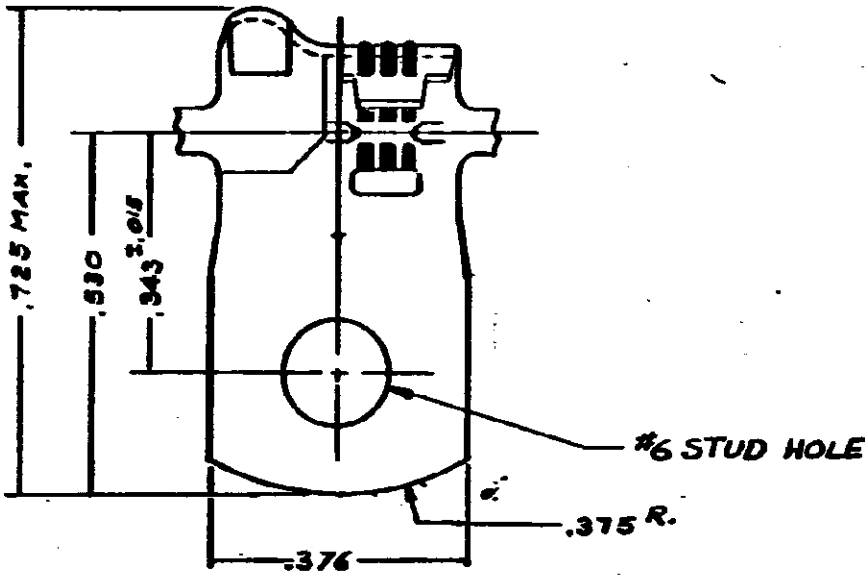



 SUPPLEMENT TO
42189

USED ON



REV.	NO.	DATE	BY	REASON
1				
2				
3	X			
4				
5				
6				
7				
8				
9				
10				
11				
12				
13				
14				
15				
16				
17				
18				
19				
20				
21				
22				
23				
24				
25				
26				
27				
28				
29				
30				
31				
32				
33				

MATERIAL: .0176 COMM. BRASS
 FINISH: 42189-1 TIN

© THE 2 BY AMP INCORPORATED
 AMP PRODUCTS COVERED BY PATENTS
 AND/OR PATENTS PENDING.

CUSTOMER DRAWING

				AMP INCORPORATED AUTOMATIC MACHINE DIVISION HARRISBURG, PENNA.	
				167	
				FLAG RING	
				WIRE RANGE #18 - #12	
				INSULATION RANGE .110 - .210	
				TOLERANCES- ALL DIMENSIONS ±.010, EXCEPT AS NOTED.	
OL RESTORATION NO.		ALTERATION		DATE BY E.C.R.	
D. GILKIN 5-22-59 CL. DILLIPLANE 5-22-59		D.E. J. H. EDSLEY 5-22-59 W. E.S. DILLIPLANE		SCALE: 4-1 SUPPLEMENT TO 42189	