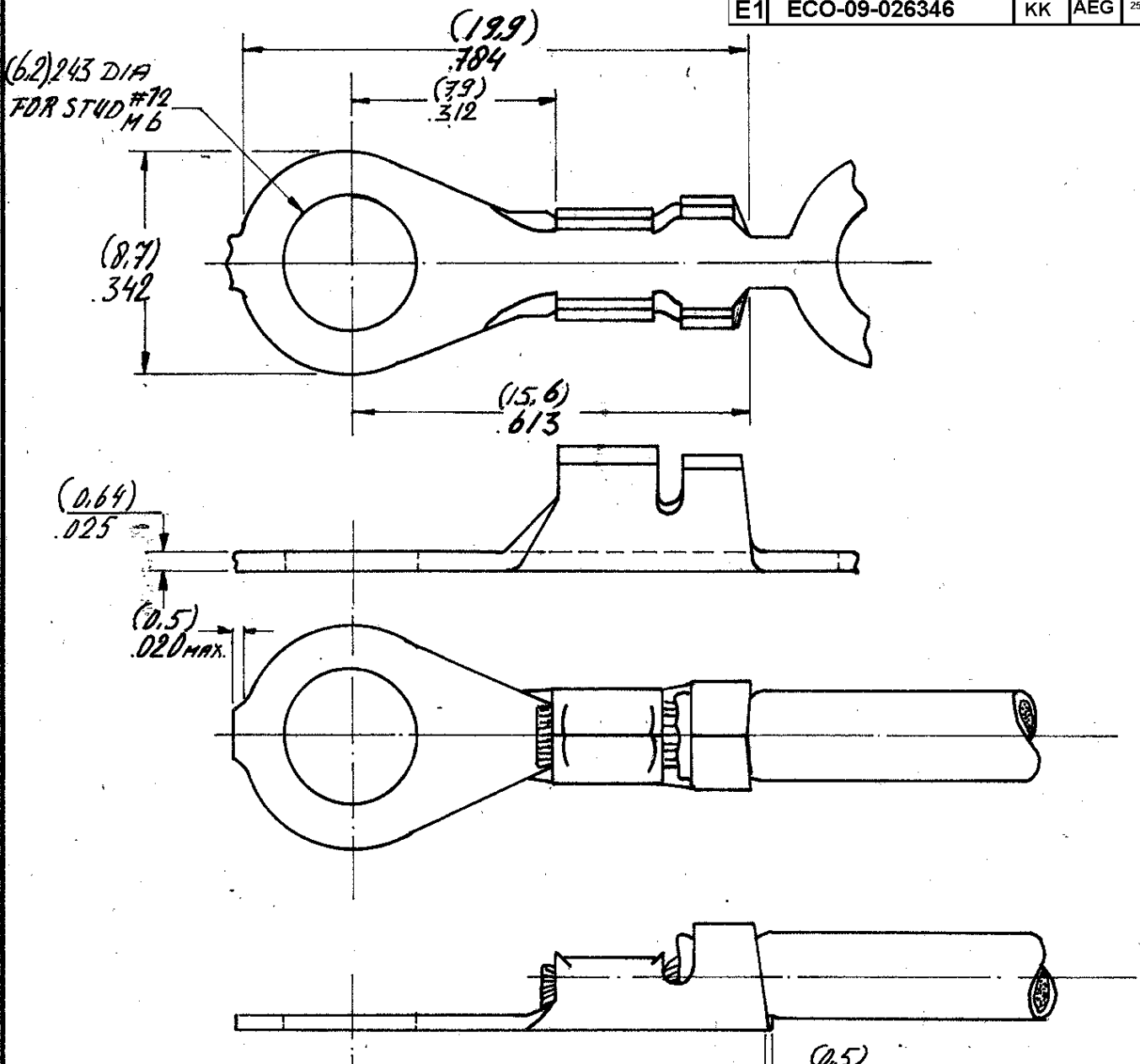


DRAWING MADE IN AMERICAN PROJECTION

LTR.	REVISION RECORD	DR.	CHK.	DATE
E1	ECO-09-026346	KK	AEG	25NOV09

NUMBER C-160108



- ① FOR USE ON STANDARD AND MINIATURE APPLICATORS
- ② FOR USE ON MINIATURE APPLICATORS (AMP-O-MATOR APPLICATION)
- ③ REELED WITH PAPER
- ④ OBSOLETE PARTS: OBSOLETE CIS STREAMLINING PER D.RENAUD/D.SINISI

CUSTOMER COPY FOR REFERENCE ONLY

©1980 BY AMP-HOLLAND N.V. ALL RIGHTS RESERVED A-MP PRODUCTS COVERED BY PATENTS AND/OR PATENTS PENDING.



AMP-HOLLAND B.V.
's-Hertogenbosch

WIRE-RANGE 20-16AWG (0.5-1.5mm ²)	INSUL-RANGE 080-120DIA (2.0-3.0)	FIRST USED
---	--	------------

160108-5	BRASS	① ③	#
160108-4	STEEL	①	NICKEL PLATED
160108-2	BRASS	①	TIN
160108-1	BRASS	①	#
ORDER NO.	MATERIAL	PLATING	SCALE
DR K. SUSTEREN	DATE 1-80	DE	DATE
CHK [Signature]	DATE 28.1.80	APP [Signature]	DATE 29.1.80

SCALE N.T.S.	SIZE A	NO C-160108	REV E1
NAME RING TONGUE WITH INS. SUPPORT			

DIMENSIONS IN (M.M.) DO NOT SCALE PRINT