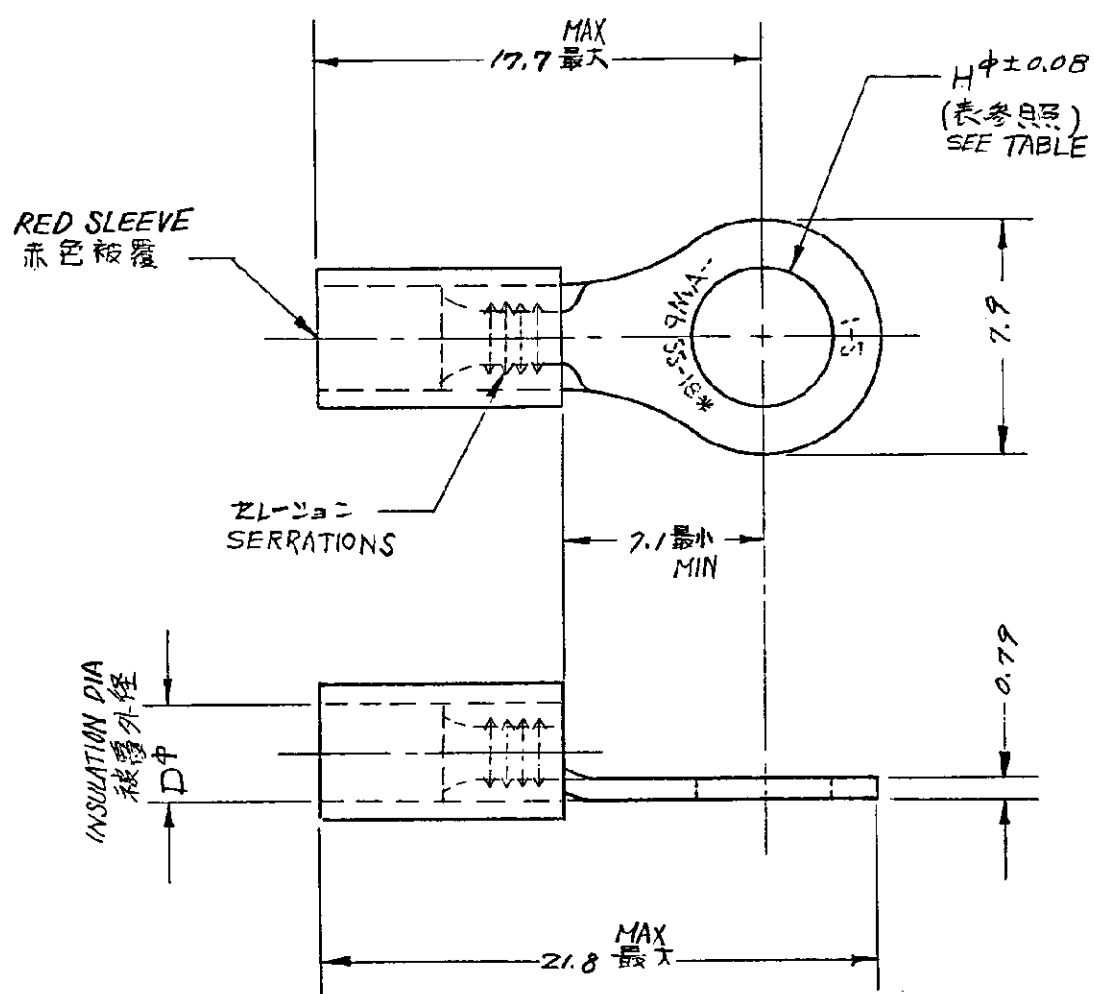


C-171509

1 OBSOLETE PARTS: OBSOLETE CIS STREAMLINING PER D.RENAUD/D.SINISI



P/N	STUD	INSULATION DIA.	P/N	STUD	INSULATION DIA.
型番	ストッド	被覆外径 Dφ	型番	ストッド	被覆外径 Dφ
171509-1	#6	3.68	171509-6	#10	5
-2	#8	4.34	-7	5mm	5.26
-3	#10	5	-8	5mm	5.26
-4	#6	3.68	171509-9	SPEC.	5.79
171509-5	#8	4.34			

DO NOT SCALE PRINT

単位: 耗 DIMENSIONS IN MM

C2	REV PER ECO-10-000444	KK	AEG	08JAN 10	参考図面 (CUSTOMER COPY) REFERENCE ONLY	
C1	REVISED ECR-05-006866	Y.Y	D.M	15JUL 05	MATERIAL: COPPER 銅与銅	tyco Electronics Tyco Electronics AMP K.K. Kawasaki, Japan
C	-3 OBSOLETE (FJ00-1754-9)	Y.I.S.M		12/19/94	FINISH: ANNEAL TIN PL 焼付銀	tyco Electronics
B	ADDED MARK	H.S.H		8/1/02	WIRE RANGE: 0.26 ~ 1.04 mm (AWG 22-18)	tyco Electronics
A	REVISED (P-DWG) (REV. A)	H.S.H		7/1/05	INSULATION DIA. 表参照 SEE TABLE	tyco Electronics
0	RELEASED (P-DWG) (REV. C)	S.P.J		3/21/02	表参照 SEE TABLE	tyco Electronics
LTR.	変更 (REVISION RECORD)	DR.	CHK.	DATE	TOLERANCE: ±0.4 EXCEPT AS NOTED	tyco Electronics
DR.	S. Suzuki	REG.	J. Suzuki	7/23/05	SCALE: 4:1	tyco Electronics
CHK.	J. Deland	APP.	J. Deland	7/23/05	LOC: JA	tyco Electronics
					SIZE: C-171509	tyco Electronics
					REV: C2	tyco Electronics

丸型端子 WIRE TERMINAL ASSEMBLY