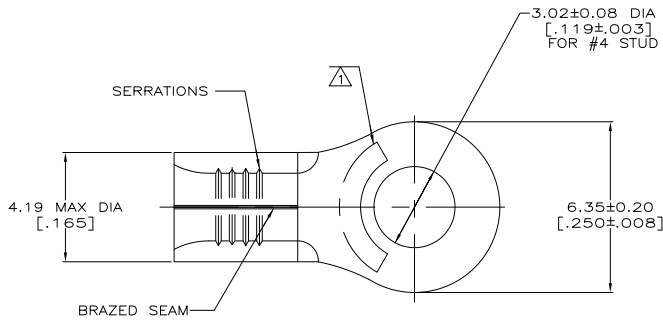


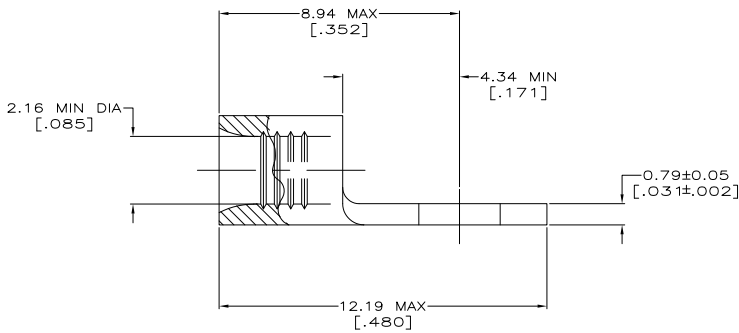
THE DRAWING IS UNPUBLISHED. RELEASED FOR PUBLICATION. ALL RIGHTS RESERVED.

LOC	REV	DESCRIPTION	MS	DATE	OWN	APPD
G	14					
		D1		11MAR11	RK	HMR



<b>AMP</b> WIRE RANGE	E13288 Listed
16-14 AWG SOLID OR STRANDED	16-14 AWG SOLID OR STRANDED
LR7189 Certified	MILITARY P/N AND CLASS
16-14 AWG SOLID OR STRANDED	M7928/7-11 CLASS 2 P/N 34119 & 2-34119-1 ONLY

- STAMP AMP 16-14\* APPROX AS SHOWN
- 0.00254 [.000100] MIN TIN PER ASTM B-545.
- CLEANED, UNPLATED



### AMP INCORPORATED CUSTOMER SERVICE SYSTEMS

MAX RECOMMENDED OPERATING TEMPERATURE:  
170° C MAX

FOR ADDITIONAL PRODUCT INFORMATION OR COPIES OF DRAWINGS AND TECHNICAL DOCUMENTS	PRODUCT INFORMATION CENTER 1-800-522-6752
FOR APPLICATION TOOLING INFORMATION	TOOLING ASSISTANCE CENTER 1-800-722-1111
FOR ORDER ENTRY	1-800-526-5142

VOLTAGE RATING:  
NOT APPLICABLE

WIRE CROSS SECTIONAL AREA RANGE:  
1.04-2.62mm<sup>2</sup> [2,050-5,180] CIR MILS  
SOLID OR STRANDED

THIS DRAWING IS A CONTROLLED DOCUMENT FOR AMP INCORPORATED. IT IS SUBJECT TO CHANGE AND THE CONTROLLING ENGINEERING ORGANIZATION SHOULD BE CONTACTED FOR THE LATEST REVISION.

	---	LOOSE PIECE	34119-1
	100	LOOSE PIECE, BOX	8-34119-1
	5000	ON TAPE	2-34119-1
	---	LOOSE PIECE	34119
FINISH	QUANTITY	PACKAGING TYPE	PART NO

THIS DRAWING IS A CONTROLLED DOCUMENT.		BY TA BRINKMAN 3-11-93	DATE 3-11-93	TE Connectivity
DIMENSIONS: MM(INCHES)		CHK DA PATTERSON 3-11-93	DATE 3-11-93	
MATERIAL: COPPER PER ASTM B-152 ANNEALED		APPROVED DE MILLER 3-11-93	PRODUCT SPEC	TERMINAL, RING TONGUE, SOLISTRAND
FINISH: SEE TABLE		APPLICATION SPEC	WEIGHT	RESTRICTED TO
		SIZE	CAGE CODE	DRAWING NO
		A2	00779	34119
		CUSTOMER DRAWING	SCALE	10:1
		SHEET	1 of 1	REV D1