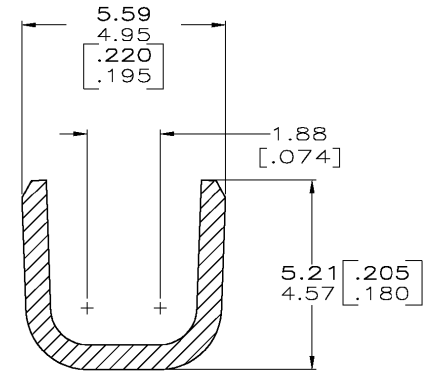
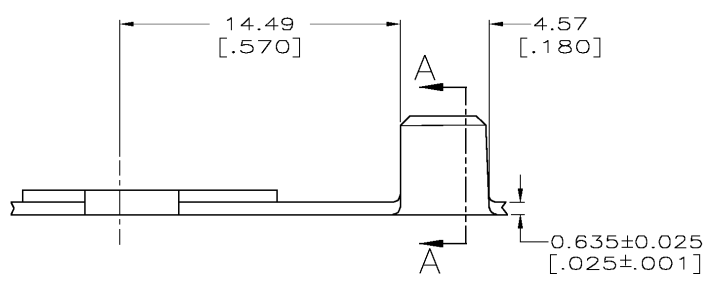
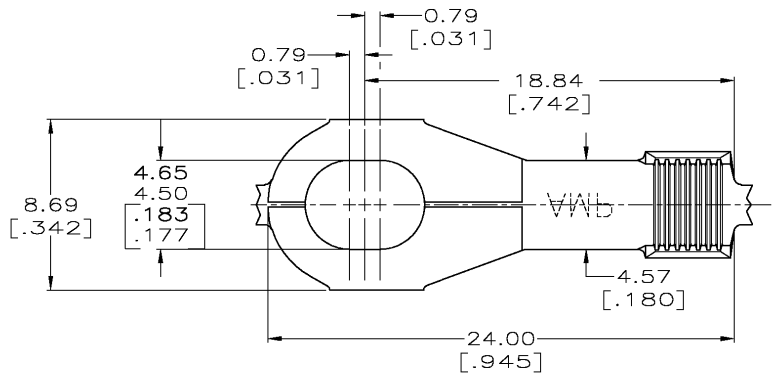


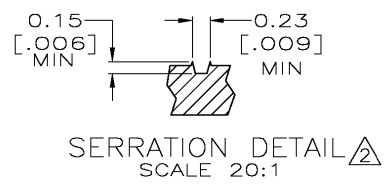
THIS DRAWING IS UNPUBLISHED. RELEASED FOR PUBLICATION
 © COPYRIGHT BY TYCO ELECTRONICS CORPORATION. ALL RIGHTS RESERVED.

| LOC | DIST | REVISIONS | | | | | |
|-----|------|-----------|-----|--------------------------|-----------|-----|------|
| AF | 50 | P | LTR | DESCRIPTION | DATE | DWN | APVD |
| | | E | | REDRAWN PER 0G1A-0117-99 | 14APR1999 | PF | JD |



SECTION A-A
SCALE 10:1

- 1 CONTINUOUS STRIP ON REEL.
- 2 SERRATION DETAIL APPLIES ONLY AT STRAIGHT PORTION ON SIDE OF BARREL.



| | |
|----------------------------|-------------|
| 14-12 AWG OR (2) 15 AWG | 62755-1 |
| WIRE RANGE | PART NUMBER |

| | | | | |
|--|-------------|--|---|--------------------|
| THIS DRAWING IS A CONTROLLED DOCUMENT. | | DWN PHILLIP M. FORTNEY 14APR1999 | Tyco Electronics Corporation Harrisburg, PA 17105-3608 | |
| DIMENSIONS: MM | | CHK JEFF R RUTH 14APR1999 | NAME RING,AMPLIVAR | |
| TOLERANCES UNLESS OTHERWISE SPECIFIED: 0 PLC ± - 1 PLC ± - 2 PLC ± 0.25(.010) 3 PLC ± - 4 PLC ± - ANGLES ± - | | APVD JEREMY DUNCAN 14APR1999 | PRODUCT SPEC | |
| MATERIAL 082 BRASS | FINISH - | APPLICATION SPEC | SIZE A3 | CAGE CODE 00779 |
| CUSTOMER DRAWING | | WEIGHT - | DRAWING NO C-62755 | RESTRICTED TO - |
| | | | SCALE 5:1 | SHEET 1 OF 1 |
| | | | REV E | |