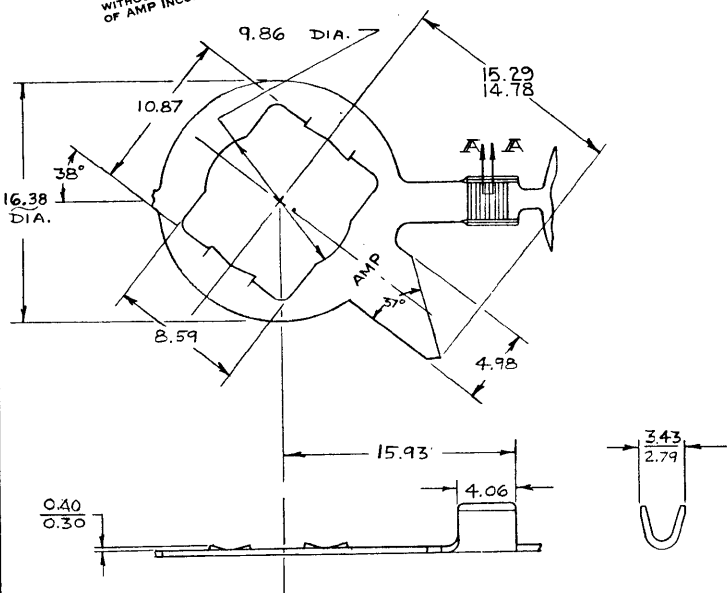


67 4 3 2 1 Loc AF DIST 50
DRAWING MADE IN THIRD ANGLE PROJECTION

© COPYRIGHT 1977 BY AMP INCORPORATED, HARRISBURG, PA.
ALL INTERNATIONAL RIGHTS RESERVED.
ALL INTERNATIONAL RIGHTS RESERVED.
COVERED BY U. S. AND FOREIGN PATENTS AND/OR PATENTS PENDING.
UNPUBLISHED OR PUBLISHED.
REPRODUCED OR TRANSMITTED IN ANY FORM OR BY ANY MEANS
WITHOUT WRITTEN PERMISSION OF AMP INCORPORATED.

REVISIONS						
P	F	ZONE	LTR	DESCRIPTION	DATE	APPROVED
✓			F	REV PER ECN CM 85	1/24/85	TE/RS
✓			F ₁	RESTORATION	2/3/85	TS/SJ
✓			G	OBSOLETE -2 PER ECN CM 473	2-18-86	CM/RS
✓			H	REVISED PER CM-2457	7-31-89	PC/RS
✓			J	REV PER 0710-0427-95	11/14/90	PME/RS



METRIC

NONE		20-16 AWG MAGNET	505072-1														
FINISH		WIRE RANGE	PART NO														
UNLESS OTHERWISE SPECIFIED DIMENSIONS ARE IN MILLIMETERS. TOLERANCES ON DECIMALS ± 0.40 ANGLES ± 1°		<table border="1"> <tr> <td>CONTRACT NO</td> <td>16-13-77</td> </tr> <tr> <td>DR</td> <td>D. A. SALTZER</td> </tr> <tr> <td>CHK</td> <td>S. Heide 10/20/77</td> </tr> <tr> <td>APPD</td> <td>10/20/77</td> </tr> <tr> <td>APPD</td> <td>10/20/77</td> </tr> <tr> <td>DSGN APPD</td> <td></td> </tr> <tr> <td>OTHER APPD</td> <td></td> </tr> </table>		CONTRACT NO	16-13-77	DR	D. A. SALTZER	CHK	S. Heide 10/20/77	APPD	10/20/77	APPD	10/20/77	DSGN APPD		OTHER APPD	
CONTRACT NO	16-13-77																
DR	D. A. SALTZER																
CHK	S. Heide 10/20/77																
APPD	10/20/77																
APPD	10/20/77																
DSGN APPD																	
OTHER APPD																	
MATERIAL		AMP INCORPORATED Harrisburg, Pa.															
050 BRASS		NAME TERMINAL, STUD RETAINING RING, AMPLIVAR															
FINISH		SIZE	CODE IDENT NO														
SEE TABLE		B	00779														
		DRAWING NO	505072														
		SCALE	4:1														
		SHEET	—														

AMP 1470-15 (7-73)

CUSTOMER DRAWING