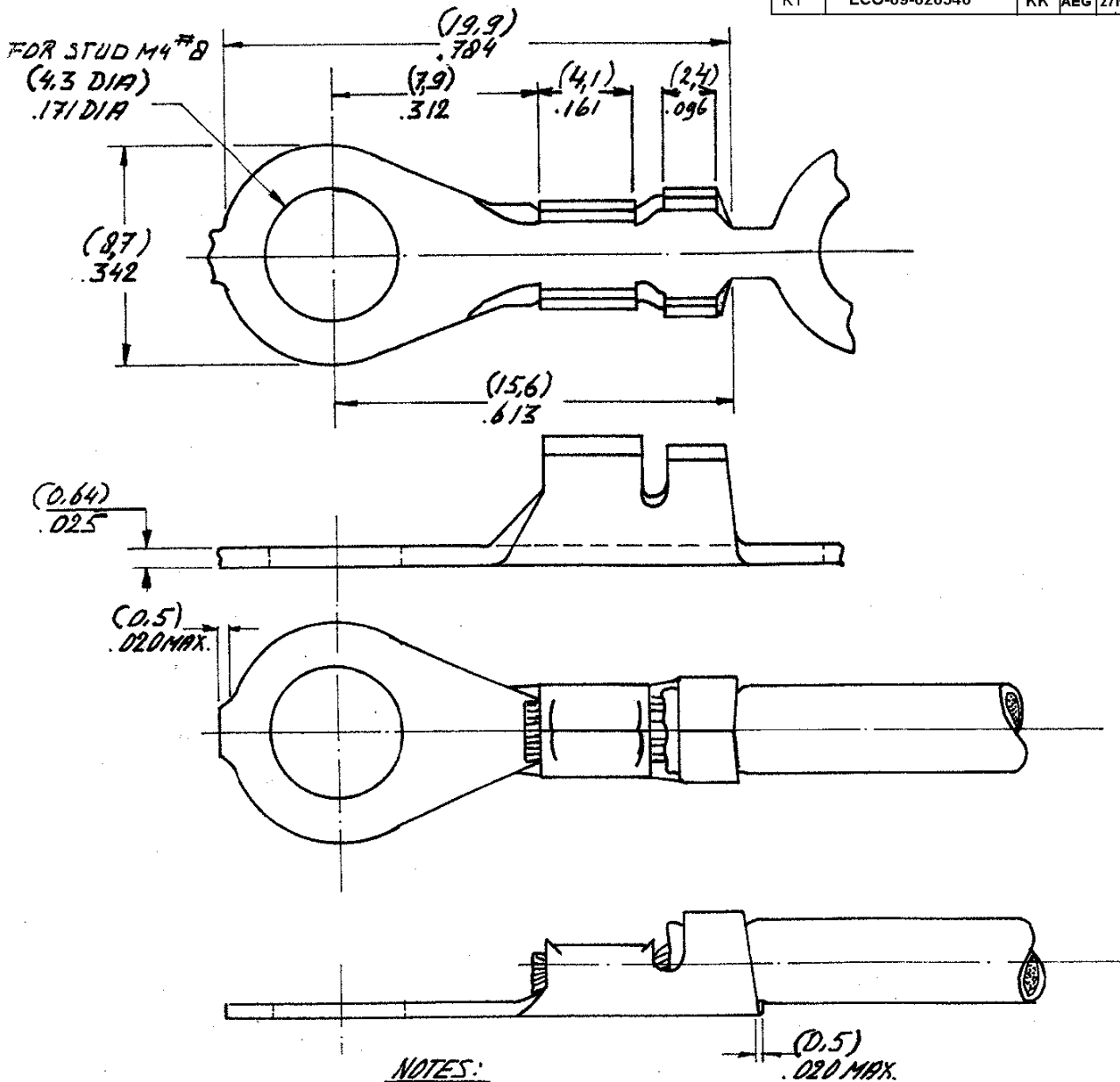


DRAWING MADE IN AMERICAN PROJECTION

LTR	REVISION RECORD	DWN	CHK	DATE
K1	ECO-09-026346	KK	AEG	27NOV09

DIMENSIONS IN ( ) IN ( ) MM DO NOT SCALE PRINT



**NOTES:**

△ OBSOLETE PARTS: OBSOLETE CIS STREAMLINING PER D.RENAUD/D.SINISI

△ 1 FOR USE ON MINIATURE APPLICATORS (LEFT, RIGHT FEED) AMP.O.I.:ATOR APPLICATION.

△ 2 FOR USE ON STANDARD AND MINIATURE APPLICATORS.

△ 3 REELED WITH PAPER COVER.

160101-9	△	STEEL	△	NICKEL PLATED
160101-8	2/3	PHOSPH. BRONZE	—	—
160101-7	2/3	BRASS	—	—
160101-6	4/2	STEEL	△	NICKEL PLATED
160101-4	4/1	BRASS	—	—
160101-3	4/2	PHOSPH. BRONZE	—	—
160101-2	1/1	BRASS	△	TIN PLATED
160101-1	1/2	BRASS	—	—

**CUSTOMER COPY FOR REFERENCE ONLY**

©1980 BY AMP-HOLLAND N.V. ALL RIGHTS RESERVED A-MP PRODUCTS COVERED BY PATENTS AND/OR PATENTS PENDING.



AMP-HOLLAND B.V.  
's-Hertogenbosch

WIRE-RANGE 20-10 AWG 0.5-4.5 mm <sup>2</sup>	INSUL-RANGE 0.80-1.20 DIA (2.0-3.0)	FIRST USED
--	---	------------

ORDER NO.	MATERIAL	PLATING
DR. U. SUSTEREN	25/ DATE 11.80	DE DATE
CHKD. 1.80	20/ DATE 11.80	APP. DATE 29.1.80

SCALE N.T.S.	SIZE A	NO C-160101	REV K1
-----------------	-----------	----------------	-----------

NAME RING TONGUE WITH INS. SUPPORT