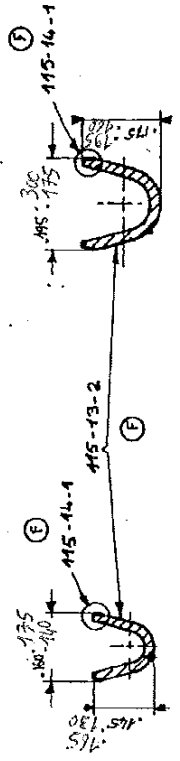
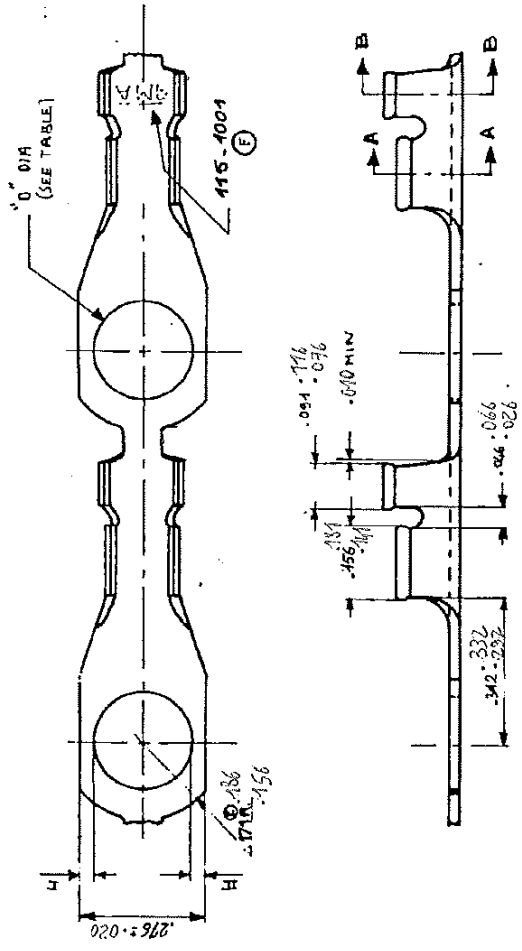


CODE	GAGE NO

DIMENSIONS I & II TO BE
EQUAL WITHIN .020



SEC. A-A

SEC. B-B

140663-664

DIFFUSION No.

140663-1A 140664		BRASS 1/2 HARD		PART NUMBER	
4		Plain		FINISH	
4 mm		Tin Plated		WIRE RANGE	
4 mm		Z		18-14	
D 2.00		STUD mm		TOLERANCES - .000 + .008	
STOCK THK .023		X 3%		NAME	
TRIMMING BURR NOT TO EXCEED .085 IN.		SPECIFICATION CLASSIFICATION		RECTANGULAR TONGUE	
CRITICAL MINOR		MAJOR		SCALE LOC	
REF (NONE) SDP 1B-11		DR C. GUYADER		NUMBER	
APPR. R.E. GRASSAND		REL		F B	
CHK G. MINIOU		REL		4:1	
WIRE CRIMP INS CRIMP SB.		SURFACE AREA 3522 SQ IN.		INSULATION RANGE	
LAYOUT NO.		QTY/REEL 5000		1/0 0in	
DIE 3529		HEAT TREAT		100	
DIRECTION OFF TOP OF REEL 107.3 Fig. 6		WIDW .312		IDW .390	
APPL FEED 855		DIE FEED 855		REV A	

AMP 2031-2 8