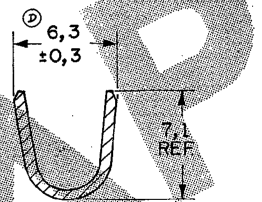
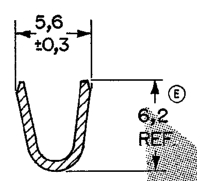
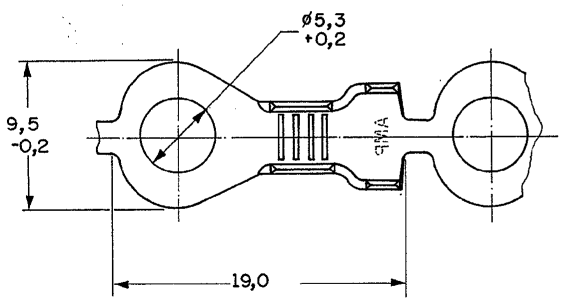


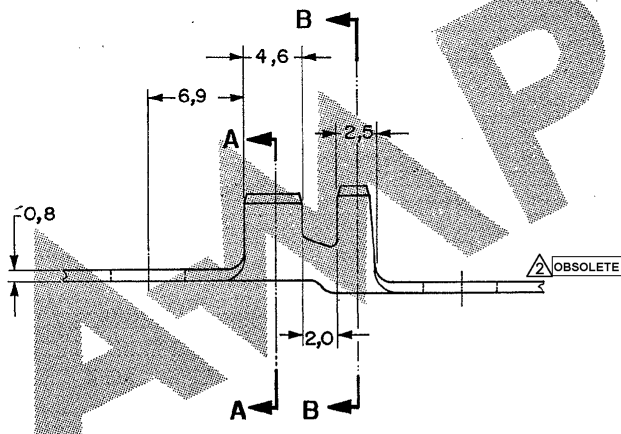
DO NOT SCALE DIMENSIONS IN	METRIC	 3rd ANGLE PROJECTION
-------------------------------	--------	--------------------------

C 6260364



SEC.- A A

SEC.- B B



▲ REBOBINAR INTERCALANDO COM PAPEL.
 ▲ OBSOLETE PARTS: OBSOLETE CIS STREAMLINING PER D.RENAUD/D.SINISI

		BRONZE	▲
ESTANHADO		LATÃO	- 3
ESTANHADO		LATÃO	- 2
		LATÃO	626036 - 1
OTHER TREATMENT		FINISH	PART NUMBER
CUSTOMER DWG for REFERENCE ONLY			
THIS DRAWING IS UNPUBLISHED. RELEASED FOR PUBLICATION © COPYRIGHT IS BY AMP DO BRASIL LTDA. S.R. ALL INTERNATIONAL RIGHTS RESERVED. AMP PRODUCTS MAY BE COVERED BY U.S. AND FOREIGN PATENTS AND/OR PATENT PENDING.		TOLERANCES UNLESS OTHERWISE STATED DEC. ± 0,3 ANGLES ± 1°	
DR. M.R. Britz 07-Jan-92 CHK.		INS. DIA. RANGE 3,2 - 5,3mm WIRE RANGE 4 - 6mm SCALE 4:1	AMP AMP do BRASIL LTDA. São Paulo, Brasil
REVISION RECORD E1 REVISOR: MRS. J. G. ... E2 REVISOR: MRS. J. G. ... D1 DATES CHANGING PER ECN 12876 ISS REVISION RECORD DR CHK DATE APP.		DESCRIPTION: RING TONGUE DWG NO: A3 C 626036 SHEET 1 of 1	