

4

3

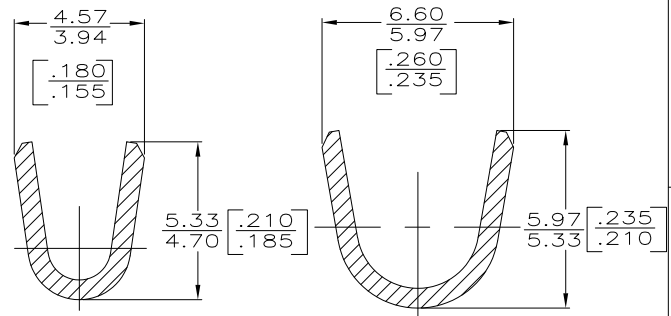
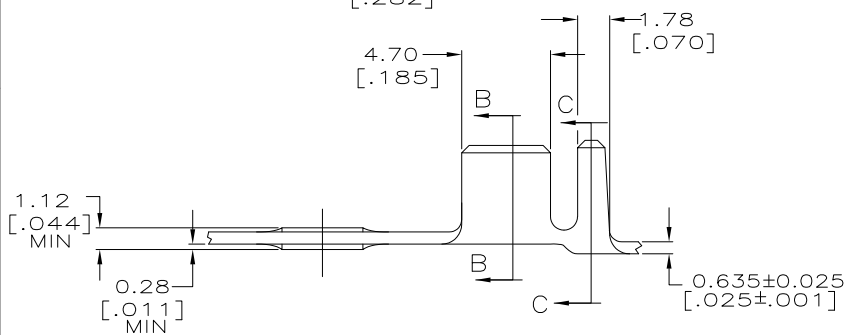
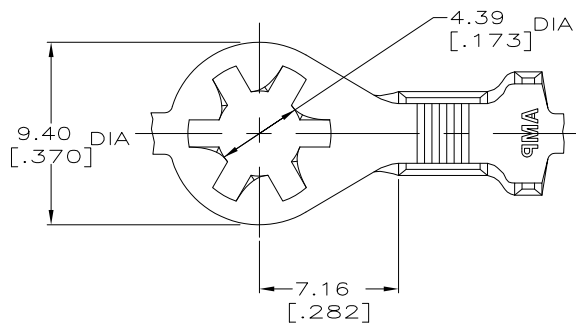
2

1

THIS DRAWING IS UNPUBLISHED. RELEASED FOR PUBLICATION
 © COPYRIGHT - BY TYCO ELECTRONICS CORPORATION. ALL INTERNATIONAL RIGHTS RESERVED.

LOC	DIST	REVISIONS			
P	LTR	DESCRIPTION	DATE	DWN	APVD
AF	50				
		D	REVISED PER ECR-10-006099	09JUL10	HMR PD

1. CONTINUOUS STRIP ON REEL.

SECTION B-B
SCALE 8:1SECTION C-C
SCALE 8:1

F OR O	5.59 [.220]	6.35 [.250]	F	3.56 [.140]	2.36 [.093]	(2) 1.3w [.16]
					2.49 [.098]	3.0w [.12]
					2.24 [.088]	2.0w [.14]
					2.06 [.08]	1.3w [.16]
TYPE	WIDTH	STRIP LENGTH ±0.38 [±.015]	TYPE	WIDTH	±0.051 [±.002] HEIGHT	WIRE
INSUL BARREL CRIMP			WIRE BARREL CRIMP			

THIS DRAWING IS A CONTROLLED DOCUMENT.

DIMENSIONS:
mm [INCHES]

TOLERANCES UNLESS OTHERWISE SPECIFIED:

0 PLC	± -
1 PLC	± -
2 PLC	± 0.25 [.010]
3 PLC	± -
4 PLC	± -
ANGLES	± -

MATERIAL
H04 BRASSFINISH
TIN

3.30-4.32 DIA [.130-.170]	1.3-3.0mm ² [16-12] AWG	63698-1
INSULATION RANGE	WIRE RANGE	PATR NO

DWN PHIL FORTNEY 7/14/93
CHK JR RUTH 7/14/93
APVD G YETTER 7/14/93

Tyco Electronics Tyco Electronics Corporation
 Harrisburg, PA 17105-3608

NAME
RING

PRODUCT SPEC	SIZE	CAGE CODE	DRAWING NO	RESTRICTED TO
APPLICATION SPEC	A3	00779	C-63698	-
WEIGHT	CUSTOMER DRAWING			SCALE 5:1
	SHEET 1 OF 1			REV D