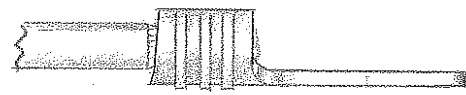
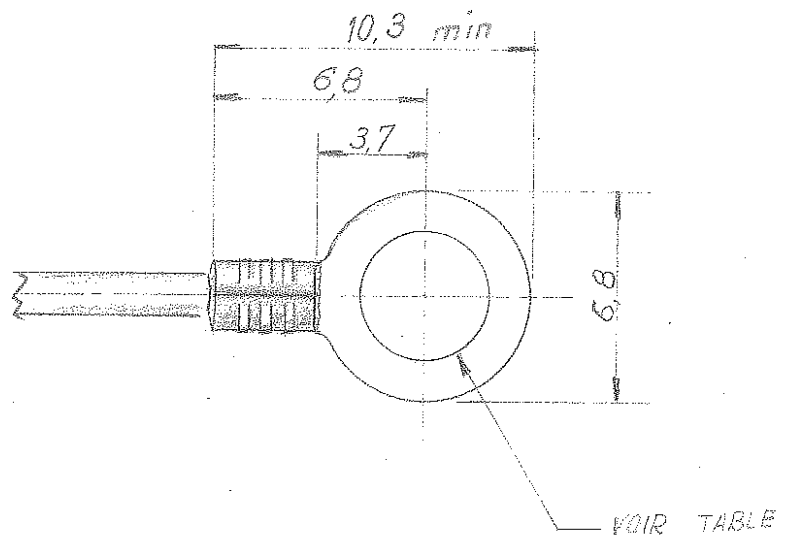


C 140 631 - 36

USED ON



STA.	NO.	ALT.
1		
2		
3		
4		
5		
6		
7		
8		
9		
10		
11		
12		
13		
14		
15		
16		
17		
18		
19		
20		
21		

A - LAITON -
A2 - LAITON ETAME

EPAIS 0,5

N°	MAT.	STUD SIZE	STUD mm	"D" mm
140764	A2	# 6	3,5	145
140 686	A2	# 8	4	170 (4,3)
140 635	A	# 8	4	170 (4,3)
140 634	A2	# 6	3,5	145 (3,7)
140 633	A	# 6	3,5	145 (3,7)
140 632	A2	# 4	3	119 (3,02)
140 631	A	# 4	3	119 (3,02)

COSSE A PLAGES RONDES

CLASS W.T.S.				SHOW PT. NO. IN AREA MARKED "X"	
TYPE Automatique				BREAK ALL SHARP EDGES	
WIRE SIZE 20-16				EXCEPT AS NOTED:	
TOLERANCES				DECIMALS ± 005	
ANGLES ± 1/2°				FRACTIONS ± 1/64	
FR. INACTIVE 140764				15-9 CC.	
A 140764				281.62 F16	
REV.	REVISIONS	DATE	BY	N.D.C.	
DR.	7-2-58	D. E.			
CK.		P. T. E.			
REL.					

SOCIÉTÉ AMP DE FRANCE

NUMBER C 140 631 - 36

SCALE 4/1