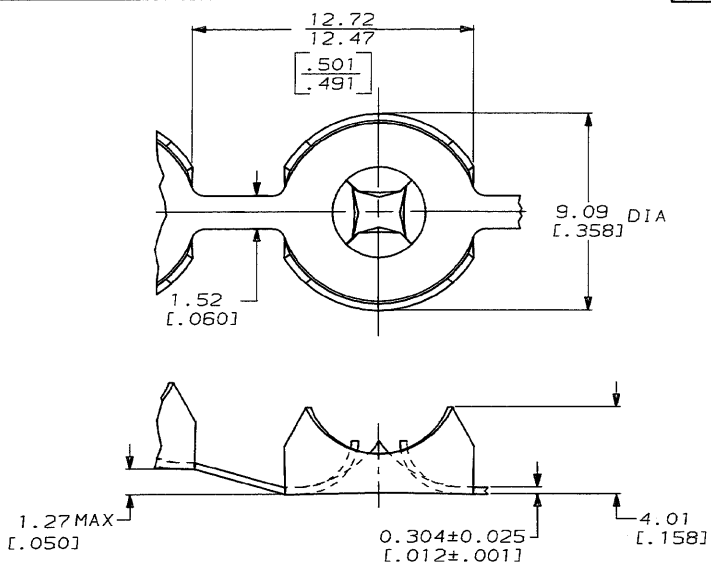
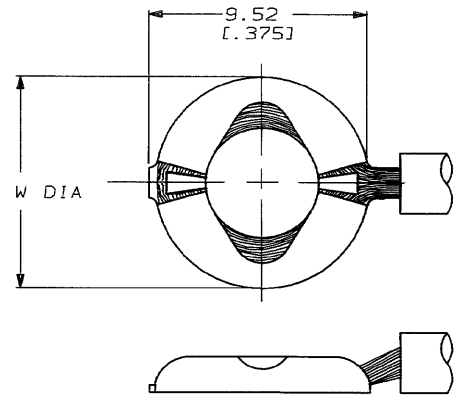


4
DRAWING MADE IN THIRD ANGLE PROJECTION
THIS DRAWING IS UNPUBLISHED. RELEASED FOR PUBLICATION, 19
© COPYRIGHT 19 BY AMP INCORPORATED. ALL INTERNATIONAL RIGHTS RESERVED.

LOC	DIST	REVISIONS				DATE	APPD
P	F	ZONE	LTR	DESCRIPTION			
AF	50	B		REV AND REDRAWN PER AF-6382	12/12/89	PF/MF	



1 CONTINUOUS STRIP ON REELS



8.84 [.348]	4.44 [.175]	0.8mm ² -2.0mm ² [18-14] AWG	40630
W	HOLE DIA ±.013 [.005]	WIRE SIZE	PART NO

DO NOT SCALE PRINT. UNLESS SPECIFIED DIMENSIONS IN mm [INCHES] TOLERANCES ON: 2 PLC DEC ± - 3 PLC DEC ± 0.30 (.015) ANGLES ± -		DR 1/26/90 P FORTNEY	AMP INCORPORATED Harrisburg, Pa. 17105	
MATERIAL #1 HARD BRASS OIL LUBRICATED		CHK 1/26/90 HS FIEBER	NAME EYELET, CROWN CRIMP	
FINISH		APPD 2/2/90 R KURO	SIZE B	CAGE CODE 00779
		PRODUCT SPEC	DRAWING NO	40630
		APPLICATION SPEC	SCALE	6:1
		WEIGHT	SHEET	1 OF 1

METRIC

AMP 1470-15 REV 6-89
89 FEB 1990 07:51:25 F17795 4512840P71212+006212440.SPECIAL-TERM

CUSTOMER DRAWING