

4

3

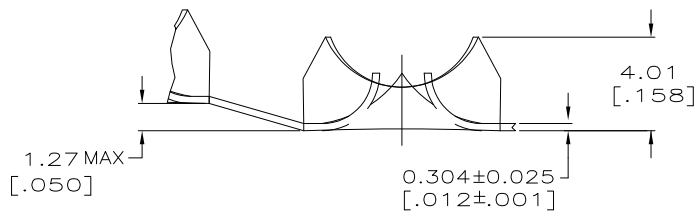
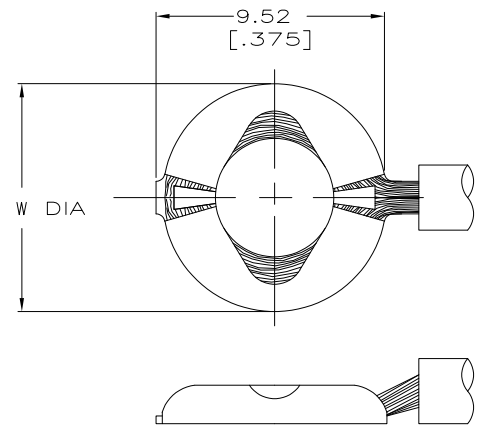
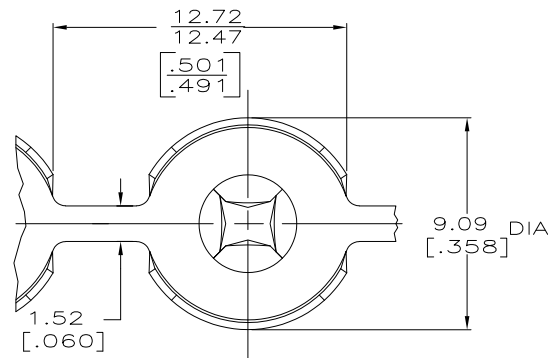
2

1

THIS DRAWING IS UNPUBLISHED. RELEASED FOR PUBLICATION
 © COPYRIGHT - BY TYCO ELECTRONICS CORPORATION. ALL INTERNATIONAL RIGHTS RESERVED.

LOC	DIST	REVISIONS				
P	LTR	DESCRIPTION	DATE	DWN	APVD	
AF	50					
		AA1 REVISED PER ECR 10-007002	31MAR10	JR	PD	

- 1 CONTINUOUS STRIP ON REELS
 2 PRELIMINARY - NOT FOR PRODUCTION



WITH INTERLEAFING PAPER	0.8mm ² -2.0mm ²	2 40629-1
STANDARD	[18-14] AWG	40629
REELING	WIRE SIZE	PART NO.

8.84 [.348]	4.93 [.194]	40629-1 D	40629 D
9.78 [.385]	5.31 [.209]	40629-1 C	40629 C
9.78 [.385]	4.93 [.194]	40629-1 B	40629 B
9.78 [.385]	4.62 [.182]	40629-1 A	40629 A
W	HOLE DIA ± 0.13 [.005]	WITH PAPER	NO PAPER
TOOLING DESIGNATION FOR APPLICATOR			

THIS DRAWING IS A CONTROLLED DOCUMENT.		DWN	P FORTNEY	1/26/90	Tyco Electronics Corporation	
DIMENSIONS:		CHK	MS FEHER	1/26/90	Harrisburg, PA 17105-3608	
INCHES		APVD	G YETTER	1/26/90	NAME	
TOLERANCES UNLESS OTHERWISE SPECIFIED:		PRODUCT SPEC		EYELET, CROWN CRIMP		
0 PLC	± -	APPLICATION SPEC		-		
1 PLC	± -	WEIGHT		-		
2 PLC	± -	SIZE		A3 00779 C-40629		
3 PLC	± 0.38 [.015]	RESTRICTED TO		-		
4 PLC	± -	CUSTOMER DRAWING		SCALE 6:1 SHEET 1 OF 1 REV AA1		
ANGLES	± -	MATERIAL		#1 HARD BRASS		
FINISH	-	FINISH		-		