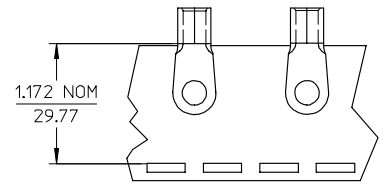
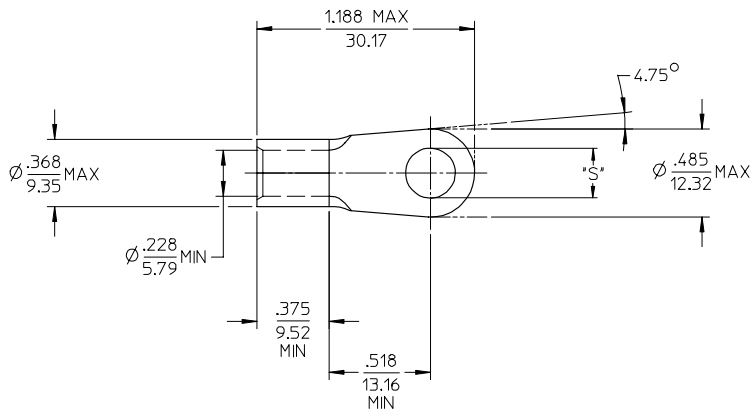


MATERIAL NO. LOOSE PIECE	ENG. NO.	MATERIAL NO. TAPE MOUNTED	ENG. NO.	STUD SIZE	±.003 "S"	STOCK THICKNESS
191930243	E-360-08	191930244	E-360-08T	8	.173	.050/(1.27) (B)
191930245	E-360-10	191930247	E-360-10T	10	.198	
191930248	E-360-14	191930250	E-360-14T	1/4	.265	
191930251	E-360-56	191930253	E-360-56T	5/16	.328	



SALES DRAWING

- NOTE(S):
 1. MATERIAL: COPPER
 2. PLATING: ELECTROPLATE TIN
 3. ALL DIMENSIONS IN INCHES/(MM).
 4. WIRE SIZE: 6 AWG
 16 MM²
 (B) 5. PART IS ROHS COMPLIANT.

REVISED MATL THKNS	DESCRIPTION	QUALITY SYMBOLS	GENERAL TOLERANCES (UNLESS SPECIFIED)		DIMENSION STYLE	SCALE	DESIGN UNITS	THIRD ANGLE PROJECTION
			mm	INCH	IN/MM	2:1	INCH	☉
EC NO: EITC2007-0011	2006/07/12	▽=0	4 PLACES ±---	±---	DRAWN BY	DATE	TITLE	
DRAWN/HILLE	2006/07/12	▽=0	3 PLACES ±---	±.005	DLM	03/07/28	RING TONGUE TERMINAL	
CHECK/MAKNEIL	2006/07/13		2 PLACES ±0.13	±.01	CHECKED BY	DATE	VERSAKRIMP SERIES	
APPROB/BERGSS	2006/07/17		1 PLACE ±0.25	±---	HEB	03/07/28	6 AWG	
			ANGULAR ±1/2°		APPROVED BY	DATE	MOLEX INCORPORATED	
			DRAFT WHERE APPLICABLE MUST REMAIN WITHIN DIMENSIONS		RWD	03/07/28	MATERIAL NO. DOCUMENT NO.	
					SEE CHART		SD-19193-032	
					SIZE B	THIS DRAWING CONTAINS INFORMATION THAT IS PROPRIETARY TO MOLEX INCORPORATED AND SHOULD NOT BE USED WITHOUT WRITTEN PERMISSION		