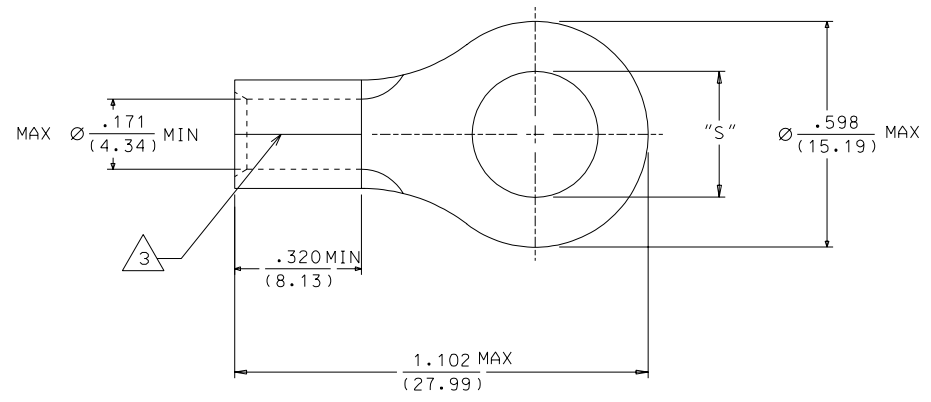
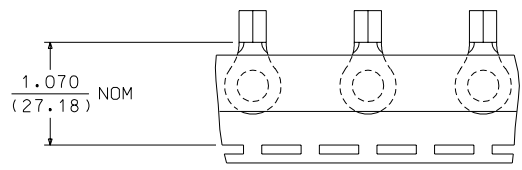


MATERIAL NUMBER	ENGINEERING NUMBER	STUD SIZE	PACKAGING
191930159	D-351-10	10	LOOSE PIECE
191930163	D-351-14	1/4	
191930171	D-351-56	5/16	
191930167	D-351-38	3/8	
191930175	D-351-76	7/16	
191930162	D-351-10T	10	TAPE MOUNTED
191930166	D-351-14T	1/4	
191930174	D-351-56T	5/16	
191930170	D-351-38T	3/8	
191930177	D-351-76T	7/16	



SALES DRAWING

NOTES:
 1. MATERIAL: COPPER
 PLATING: ELECTROPLATE TIN
 2. ALL DIMENSIONS IN INCHES/(MM).
 3. BRAZED SEAM.

NEW RELEASE EC NO. E1C2001-0270 DRAWN BY: BRE CHK: HEB APPR: RWD	QUALITY SYMBOLS MAJOR CRITICAL	GENERAL TOLERANCES: (UNLESS SPECIFIED)		SCALE 4 : 1	DESIGN UNITS <input type="checkbox"/> mm <input checked="" type="checkbox"/> INCH	THIRD ANGLE PROJECTION	DIMENSIONS: <input type="checkbox"/> mm <input checked="" type="checkbox"/> INCH	SHT	REV				
		4 PLACES ±0.1	3 PLACES ±0.05	2 PLACES ±0.02	1 PLACE ±0.01	ANGULARS ±0	DRAWN BY & DATE BRE 01/06/07	CHECKED BY & DATE HEB 01/06/07	APPROVED BY & DATE RWD 01/06/07	CAD FILENAME SD-19163-017.DWG	TITLE: RING TONGUE TERMINAL VERSAKRIMP 8 AWG	MATERIAL NO. SEE CHART	DRAWING NO. SD-19193-017
A	REV	DRAFT WHERE APPLICABLE MUST REMAIN WITHIN DIMENSIONS		THIS DRAWING CONTAINS INFORMATION THAT IS PROPRIETARY TO MOLEX INCORPORATED AND SHOULD NOT BE USED WITHOUT WRITTEN PERMISSION.			MOLEX MOLEX INCORPORATED		SIZE B				