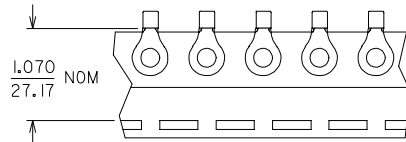
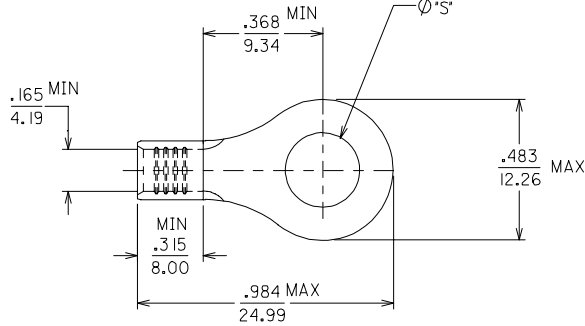


MATERIAL NUMBER	ALTERNATE NUMBER	Ø'S	PACKAGING
191930143	D-350-06	.146	LOOSE PIECE
191930146	D-350-08	.173	
191930149	D-350-10	.198	
191930152	D-350-14	.265	
191930157	D-350-56	.328	
191930145	D-350-06T	.146	TAPE PARTS
191930148	D-350-08T	.173	
191930151	D-350-10T	.198	
191930155	D-350-14T	.265	
191930158	D-350-56T	.328	

(B)



- (B) 1. MATERIAL: TERMINAL: COPPER
.045/1.14 THICK REF.
PLATING: ELECTRO TIN
- (B) 2. ALL DIMENSIONS = INCHES / MM
- (B) 3. PART IS ROHS COMPLIANT.

REDRAWN & REVISED EC NO: EITC2007-0019 DRAWN BY: DRW:HEHLE 2007/08/22 CHECKED: JACQUEL 2007/08/11 APPR: JACQUEL 2007/08/19	QUALITY SYMBOLS ▽=0 ▽=0	GENERAL TOLERANCES (UNLESS SPECIFIED)		DIMENSION STYLE IN/MM	SCALE 4:1	DESIGN UNITS INCH	THIRD ANGLE PROJECTION		
		4 PLACES ± --- ± ---	3 PLACES ± --- ± .005	DRAWN BY EDB	DATE 2001/01/23	RING TONGUE TERMINAL, 8 AWG			
		2 PLACES ± 0.13 ± .01	1 PLACE ± 0.25 ± ---	CHECKED BY HEB	DATE 2001/01/23				
		ANGULAR ±1/2°		APPROVED BY RWD		DATE 2001/01/23	MOLEX INCORPORATED		
DRAFT WHERE APPLICABLE MUST REMAIN WITHIN DIMENSIONS		MATERIAL NO. SEE CHART		DOCUMENT NO. SD-19193-016	SHEET NO. 1 OF 1				
THIS DRAWING CONTAINS INFORMATION THAT IS PROPRIETARY TO MOLEX INCORPORATED AND SHOULD NOT BE USED WITHOUT WRITTEN PERMISSION									